



**Planetary Mixers
7061 Series**

User Manual
Gebruikershandleiding
Gebrauchsanweisung
Le mode d'emploi



CONTENT

TECHNICAL CHARACTERISTICS.....	5
--------------------------------	---

ENGLISH

1. Warning	6
2. Safety	6
2.1 Safety Regulations.....	6
2.2 Safety Advice.....	7
2.3 Safety Guards.....	7
3. General Characteristics	8
3.1 Description of Machine.....	8
3.2 Machine Use	9
4. Preassembly Instruction	9
4.1 Storage and Transport.....	9
4.2 Conditions of Use.....	10
5. Electrical Connection	11
6. Use and Safety	12
6.1 Operation – Safety	12
6.2 Fitting the Bowl and Tools.....	13
6.3 Changing Speeds and Speed Selection	14
6.4 Daily Operation	14
7. Cleaning and Hygiene	15
7.1 Between Two Sessions.....	15
7.2 After Use	15
8. Fault Finding	16
9. Maintenance.....	16
9.1 Mechanical Parts.....	16
9.2 Check or Change Belt.....	17
9.3 Dismantling the Planetary Assembly	17
9.4 Checking the Safety Elements.....	17
9.5 Electrical Components	18
10. Compliance with Regulations	18
11. Caution.....	18

NEDERLANDS

1. Waarschuwing	19
2. Veiligheid	19
2.1 Veiligheidsvoorschriften	19
2.2 Veiligheidsadvies.....	20
2.3 Veiligheidsschermen	20
3. Algemene kenmerken	21
3.1 Beschrijving van machine	21
3.2 Machine gebruik	22
4. Preassembly Instructie.....	22
4.1 Opslag en transport	22
5. Elektrische Aansluiting.....	24

6. Gebruik en Veiligheid	25
6.1 Werking – Veiligheid	25
6.2 Montage van de kom en gereedschappen	26
6.3 Snelheids- en snelheidsselectie wijzigen	27
6.4 Dagelijkse werking	27
7. Reiniging en hygiëne	28
7.1 Tussen twee sessies	28
7.2 Na gebruik.....	28
8. Foutopsporing.....	29
9. Onderhoud.....	29
9.1 Mechanische onderdelen	29
9.2 Riem controleren of veranderen.....	30
9.3 Ontmanteling van de planetaire assemblage	30
9.4 Controle van de veiligheidselementen	30
9.5 Elektrische componenten	31
10. Naleving van de regelgeving	31
11. Voorzichtigheid	31

DEUTSCH

1. Warnung	32
2. Sicherheit	32
2.1 Sicherheitsvorschriften	32
2.2 Sicherheitshinweise	33
2.3 Schutzgitter	33
3. Allgemeine Merkmale.....	34
3.1 Beschreibung der Maschine	34
3.2 Maschineneinsatz	35
4. Vormontage Anleitung.....	35
4.1 Lagerung und Transport.....	35
4.2 Nutzungsbedingungen	36
5. Elektrischer Anschluss	37
6. Gebrauchen und Sicherheit	38
6.1 Betrieb – Sicherheit	38
6.2 Montage der Schüssel und der Werkzeuge	39
6.3 Ändern von Geschwindigkeiten und Geschwindigkeitsauswahl	40
6.4 Täglicher Betrieb	40
6.5 Maximale Kapazitäten	40
7. Reinigung und Hygiene	41
7.1 Zwischen zwei Sitzungen	41
7.2 Nach Gebrauch	41
8. Fehlersuche.....	42
9. Instandhaltung.....	42
9.1 Mechanische Teile.....	42
9.2 Gürtel prüfen oder wechseln	43
9.3 Demontage der Planetenbaugruppe	43
9.4 Überprüfung der Sicherheitselemente	43
9.5 Elektrische Komponenten	44
10. Einhaltung von Vorschriften	44
11. Vorsicht	44

FRANÇAIS

1. Avertissement	45
2. Sécurité	45
2.1 Règlements de sécurité	45
2.2 Conseils de sécurité	46
2.3 Protecteurs de sécurité	46
3. Caractéristiques générales	47
3.1 Description de la machine	47
3.2 Utilisation de la machine	48
4. Instruction de préassemblage	48
4.1 Stockage et transport	48
4.2 Conditions d'utilisation	49
5. Connexion électrique	50
6. Utiliser et Sécurité	51
6.1 Fonctionnement – Sécurité	51
6.2 Ajustement du bol et des outils	52
6.3 Modification des vitesses et sélection de la vitesse	53
6.4 Fonctionnement quotidien	53
6.5 Capacités maximales	53
7. Nettoyage et hygiène	54
7.1 Entre deux sessions	54
7.2 Après utilisation	54
8. Recherche de pannes	55
9. Entretien	55
9.1 Pièces mécaniques	55
9.2 Vérifier ou changer de ceinture	56
9.3 Démantèlement de l'assemblage planétaire	56
9.4 Vérification des éléments de sécurité	56
9.5 Composants électriques	57
10. Conformité à la réglementation	57
11. Prudence	57

TECHNICAL CHARACTERISTICS

Type	Model	V	A	Hz	Phases	kW	Weight
IBT 22-33	7061.0005	380-440	10	50/60	3~	0,5-0,7-0,9	140 KG
IBT 22-VE		200-240	11,2	50/60	1~	1,5	140 KG
IBT 32-33	7061.0010	380-440	11,2	50/60	3~	0,5-0,7-0,9	185 KG
IBT 32-VE		200-240	11,2	50/60	1~	1,5	185 KG
IBT 42-33	7061.0015	380-440	15,4	50/60	3~	1,0-1,5-1,85	250 KG
IBT 42-VE		200/240	23,8	50/60	1~	3,0	250 KG
IBT 64-33	7061.0020	380-440	25	50/60	3~	1,0-1,5-1,85	250 KG
IBT 64-VE		200/240	32	50/60	1~	3,0	250 KG
IBT 80-33	7061.0025	380-440		50/60	3~	1,5-2,0-2,5	250 KG
IBT 80-VE		380-440		50/60	1~	4,0	250 KG

1. Warning

Read this instruction manual before switching the machine on. Keep this instruction book together with the appliance for future consultation.

These warnings were drafted for your safety and for that of others. Please read them carefully before installing or using the appliance.

The appliance is intended for professional use and must be utilized by qualified personnel trained to use it.

Any modification which may be necessary on the electrical system to enable installation of the appliance, must be carried out solely by competent personnel.

It is dangerous to modify or attempt to modify the characteristics of this appliance. Starting up. This unit must be grounded for your protection to avoid the risk of electrical discharges. It should be connected directly to the ground terminal of the control cabinet. The ground cable must not be cut or disconnected from the machine.

The introduction of an object or foreign body other than that necessary in the manufacture of the dough is totally forbidden.

Before doing any maintenance or cleaning jobs, disconnect the appliance from the electrical mains and allow it to cool.

The sound pressure level emitted by the machine is lower than 70 dB.

NOTE: The manufacturer will not be held responsible for the following:

- Incorrect installation of the machine
- Use of non-original spare parts
- Electrical supply problems
- Non authorized alterations
- Lack of daily maintenance
- Improper and/or incorrect use of the machine
- Non-compliant use according to current regulations in the country where the machine will be installed.

2. Safety

2.1 Safety Regulations

It is forbidden to tamper with the safety guards and other safety devices of the machine. If any of the safety features of the machine are damaged, they must be immediately repaired and remounted in the same way.

The safety guard or safety devices must not be removed from the machine except for cleaning or maintenance. The safety guard and safety devices must be replaced in their original position as soon as the reasons for removing them have been dealt with.

Before commencing cleaning or maintenance of the machine, ensure that the power has been disconnected and the plug has been removed.

In the event of machine maintenance, cleaning or repairs ensure that the necessary precautions are taken to avoid that any other person starts the machine or any of its parts. Inform and advise all workers of the risks in the workplace.

Compliance with the legislation in force concerning safety regulations in the workplace.

2.2 Safety Advice

Read the following instruction carefully before using the appliance for the first time.

This appliance is not intended for use by persons (including children) with reduced physical, sensory, or mental capabilities or lack of experience and knowledge, unless they have been given supervision or instruction concerning use of the appliance by a person responsible for their safety.

Children should be supervised to ensure that they do not play with the appliance.

The appliance may only be connected to a power supply whose voltage and frequency comply with the specifications on the rating plate!

Never use or pick up the appliance if;

- The supply cord is damaged,
- The housing is damaged.

If the appliance or the supply cord is damaged, it must be replaced by the manufacturer, its service agent or similarly qualified person, to avoid hazard.

Always disconnect the appliance from the supply if it is left unattended and before assembling, disassembling, or cleaning.

Never release the accessories while the appliance is running. Avoid contact with moving parts. Contact could result in injury!

Do not immerse the appliance in water or any other liquid.

Do not use the appliance to stir paint.

This appliance is intended for kitchen use only. The manufacturer cannot accept any liability for possible damage caused by improper or incorrect use.

Never switch on the appliance until the working attachments are in the mixing bowl with the ingredients to be processed.

Always wait until the attachments stop before you remove the bowl.

ATTENTION!

Machine storage: -25°C to +50°C

Ambient temperature during operation: +4 °C to +40°C.

This machine is for professional use and must be used by staff trained to use, clean, and maintain it, in terms of reliability and safety.

Use the machine in adequately lit premises (See applicable technical standard for the country of use. In Europe, refer to standard EN 12464-1)

When handling the machine, always check that the parts taken hold of are not mobile elements: risk of dropping and injury to the lower limbs.

The machine is not designed for use in explosive atmospheres.

2.3 Safety Guards

The most dangerous parts of the machine are the tools that work the mixture in the inner part of the bowl. Access to the bowl when tools are moving is prevented by a moving guard equipped with a safety micro switch; on lifting to open it, the safety switch that stops the tool is activated, when closing it, the tool does not start moving again.

Two other safety switches ensure that the tool cannot function if the bowl is not correctly fitted in the working position of the machine, at the highest point.

3. General Characteristics

3.1 Description of Machine

The mixer, kneading machine, eggbeater is excellent for small and large production in the confectionery, food, chemical and cosmetic industries.

The machine is equipped with a speed variator, which allows to select the tool speed by means of a special regulator on the control panel. Speed variation is gradual and continuous so that the appropriate speed can be selected for each mix and for each step of the production without sudden speed changes or machine stoppages.

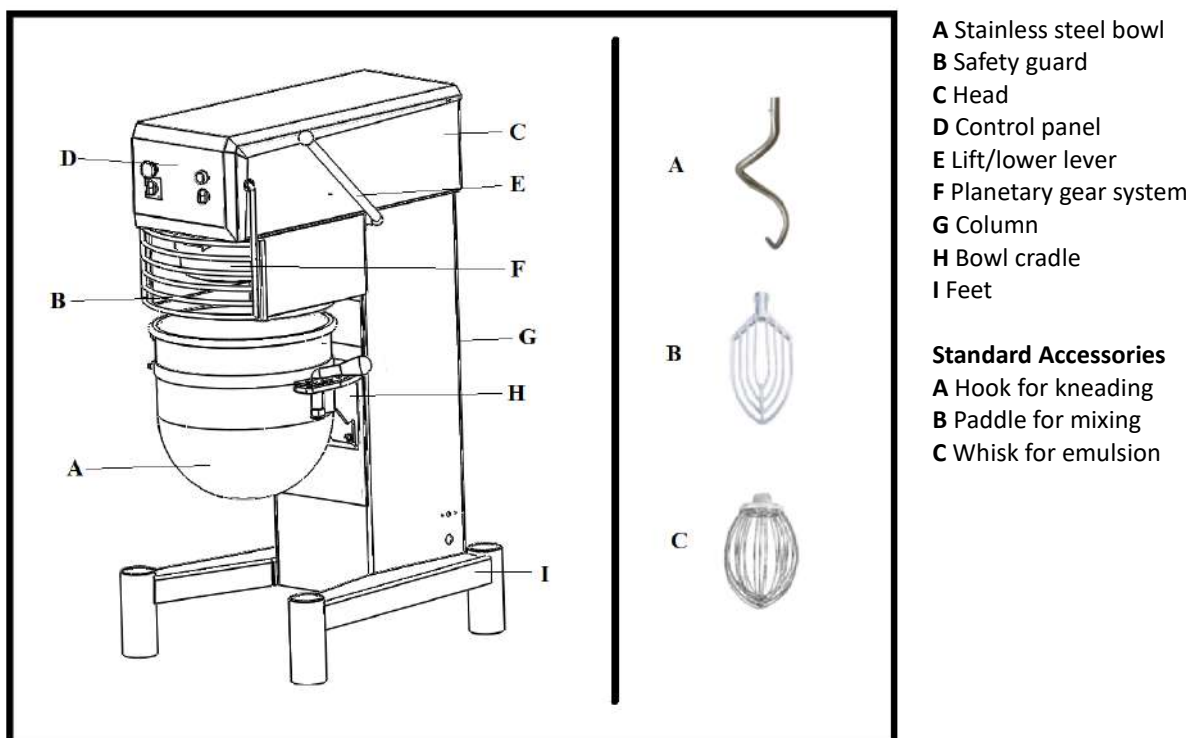
In models IBT 22/32/42/64/80 the bowl can be moved vertically by means of a lever positioned on the right-hand side of the machine.

In IBT 100/140 models, the bowl moves vertically by operating a selector on the control panel. The safety protection can be removed for cleaning.

For special requirements, the 40 Lt mixer can be equipped with a second 30 Lt and/or 20 Lt bowl and relative tools and the 60 Lt mixer can be equipped with a second 40 Lt and/or 30 Lt bowl with relative tools.

This solution enables the user to work with different bowls using only one machine.

The machine is manufactured according to current CE standards.



3.2 Machine Use

3.2.1 Correct Use

Machine must be operated by personnel specialized in pastry production. Depending on the tool and rotating speed chosen; different mixes can be made with the machine.

Tool use is shown in the table below;

TOOL	SPEED			USE	EXAMPLES
	IBT 22				
Wire whisk	4 to10	4 to 10	30 to 80	For all liquid products that need to incorporate air during the mixing	Soft cake, meringue, whipped cream
Paddle	1 to 8	1 to 8	20 to 80	To mix all products of a medium density	Cream puffs, almond pastes
Kneading tool	1 to 3	1 to 3	10 to 40	For all hard dough	Puff pastry, soft pastry, pizza.

The machine has been designed to mix a variety of products of different consistencies, therefore it is not always possible to make use of the whole capacity of the bowl.

We recommend weighing the correct quantity of product to mix, taking into consideration the consistency of the final product.

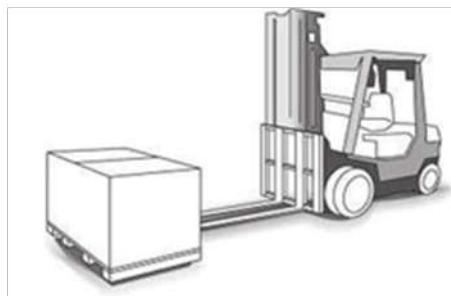
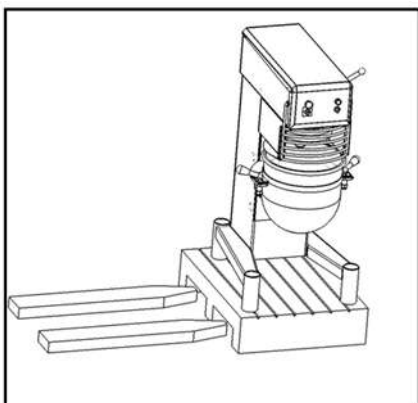
3.2.2 Incorrect Use

The machine has been designed and manufactured for the uses and the product types described in before paragraph Any other use may damage the machine and may cause hazardous situations for the worker for which the manufacturer will not be held responsible.

The machine must not be used in ATEX environments.

4. Preassembly Instruction

4.1 Storage and Transport



- Your machine has been delivered to you in a way that is packaged on a pallet. The transport of the machine must be done as shown in the picture above, another way of transport can cause damages on your machine.
- While the goods are transported, it should not be left suspended (hang in the air), and transport should be done with suitable equipment.
- Sizes and weights of the machines are given in the Technical Specifications section.
- Blanks, holes, arms, and parts located on the machines should not be used for transport. Transport way except for the schema can cause damages to machine.
- To prevent any work accidents while transporting the machine, strictly obey the rules of occupational health and safety. Do not move it without taking necessary security precautions.
- Responsible staff in transport must use safety equipment such as hard hat (helmet), gloves, steel toe shoes.
- By considering weight of the machine, appropriate equipment must be used for the transport. Before moving, the weight of the machine, external dimensions, lifting points and center of gravity must be carefully checked.
- Before moving machinery, the dimensions of the door or partition should be checked whether it is appropriate.
- Operations such as acceleration and braking while lifting and handling the machine must not be done in a manner harmful to employees.
- Machine should not be lifted and moved except for the above schema.
- Check the packaging and the product if it is damaged during shipping. If there has been any damage during transport, report to shipping company, insurance company and Salva.
- Certainly, take photo various angles of the damaged machine. It is necessary for the authority to define problem.
- Take out by checking packaged machine and if there is related equipment. Check the bill of consignment if the materials are sent full. Please inform Salva for any missing material.
- Packaging must be opened by authorized personnel who knows the product.
- Never put the load on the machine.

4.2 Conditions of Use

For free standing equipment, the floor strength must withstand 250 kg. Likewise for maintenance operations, a space of 350 mm must be left behind the mixer.

The machine has been designed to be installed in enclosed areas with a temperature that varies from +10 to +40 degrees Celsius. It has not been designed to be installed outdoors.

After positioning the machine in the selected place, which must be as level as possible, regulate the stabilizers inside the front cylindrical hard until they meet the floor.

5. Electrical Connection

ATTENTION!

Connection to the electrical power supply must be done according to proper professional practice by a qualified and authorized person (see current standards and legislation in the country of installation). If an adapter is used on the socket, a check must be made that the electrical characteristics of this adapter are not lower than those of the machine. Do not use multiple plugs. The AC power supply to the machine must comply with the following conditions:

- Maximum voltage variation: $\pm 5\%$
- Maximum frequency variation: $\pm 1\%$ on a continuous basis, $\pm 2\%$ over short periods

ATTENTION: the electrical installation must comply (for design, creation, and maintenance) with the legal and standard requirements in the country where used.

Check that the electric mains voltage, the value shown on the specification plate and the label on the power cable are the same.

- The machine's electrical power supply must be protected against voltage surges (short-circuits and excess voltages) by using fuses or thermal relays of the appropriate gauge relative to the place of installation and machine specifications.

ATTENTION: Concerning protection against indirect contact (depending on the type of power supply provided and connection of the exposed conductive parts to the equipotential protection circuit), refer to point 6.3.3 of EN 60204-1 (IEC 60204-1) with the use of protection devices for automatic shut-off of power in the event of an insulation fault with a TN or TT, system, or for the IT system, with the use of a permanent insulation or differentials controller for automatic shut-off. The requirements of IEC 60364-4-41, 413.1 must apply for this protection.

ATTENTION: Failure to comply with these instructions means the customer runs the risk of machine failure and/or accidents due to direct or indirect contacts.



ATTENTION!

Cut and lock the electricity before making electricity connection.
Connect circuit breaker plug for each machine.
Do not operate the machine without residual current relay and earthing.
Check the apparatus for turning arrow directions which shown on bowl.
Must be earthed using the green and yellow wire.

Check that the electric mains voltage, the value shown on the specification plate and the label on the power cable are the same.

	Supply Voltage	Electrical Power Max.
IBT 22-33	380 V / 3P / 50 Hz	0,5 – 0,7 – 0,9 kW
IBT 22-VE	220 V / 1P / 50 Hz	1,5 kW
IBT 32-33	380 V / 3P / 50 Hz	0,5 – 0,7 – 0,9 Kw
IBT 32-VE	220 V / 1P / 50 Hz	1,5 Kw
IBT 42-33	380 V / 3P / 50 Hz	1,0 – 1,5 – 1,8 Kw
IBT 42-VE	220 V / 1P / 50 Hz	3,0 Kw
IBT 64-33	380 V / 3P / 50 Hz	1,0 – 1,5 – 1,8 Kw
IBT 64-VE	220 V / 1P / 50 Hz	3,0 Kw
IBT 80-VE	380 V / 3P / 50 Hz	4,0 Kw

6. Use and Safety

ATTENTION!

Clean the machine properly prior to its first use.

Uncontrolled closure of the lid or ram press involves a risk of crushing the fingers.

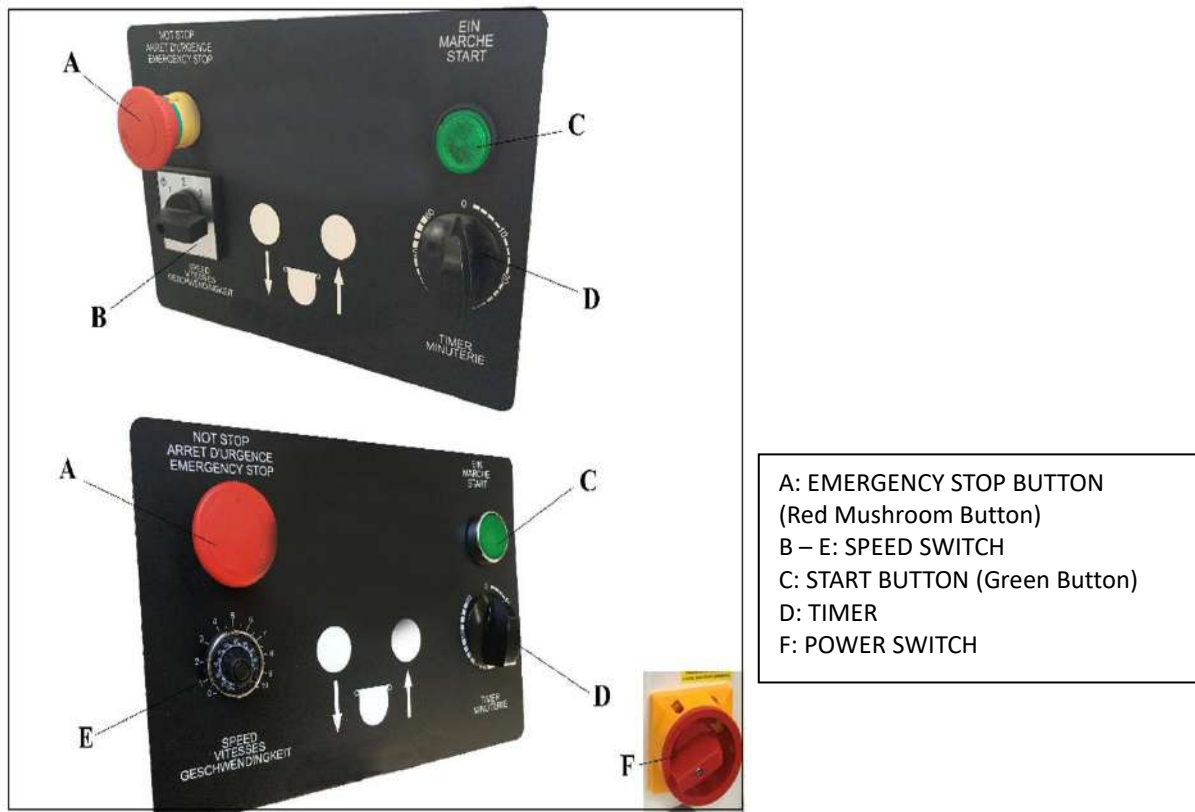
Never put a hand in the work area while the machine is in operation, risk of injury. It is strictly forbidden to put the safety systems out of action or modify them: Risk of permanent injury!!!!

Check that the safety devices correctly operate each time before using (see section about «safety system checks»).

Never put a hand, a hard or frozen object in the appliance.

For health and safety reasons, always use a strong washable or disposable head covering that covers the hair completely.

6.1 Operation – Safety



In this part, all information and instruction have been given to operate the machine. Operator must know these instructions before using it.

The safety of the user is guaranteed by:

The motor stops when the safety guard is opened.

The design of the guard that allows products to be added perfectly safely during operation.

The motor stops when the cradle is lowered. It will not start again when the START switch is pressed.

The need to press the START button after the machine has been stopped.

Protection against current and power surges, drops in power and the motor overheating.
Compliance with the instructions given in this manual for using, cleaning and maintaining the machine.
You have to look the apparatus speeds for speed setting from table or selection sticker.

Firstly, bowl and protector must be in right position for starting.

(There are three protector switches for bowl, bowl position and safety cover)

- a) Turn to the right the button F for energy.
- b) Timed Operation
 - Turn to the right direction the button D for setting time.
 - Turn to the left direction the button D for continuous operation.
- c) Turn to the right direction the button B-E for setting speed.
- d) Press the button C for starting to operation.
- e) If you want to stop the machine, press the button A.
 - When the operator opens the bowl protector or if you move the bowl to lower position the machine will be stopped. operator must press the button C for start to operation again.
 - The operator must look the apparatus speeds for speed setting from table.

6.2 Fitting the Bowl and Tools

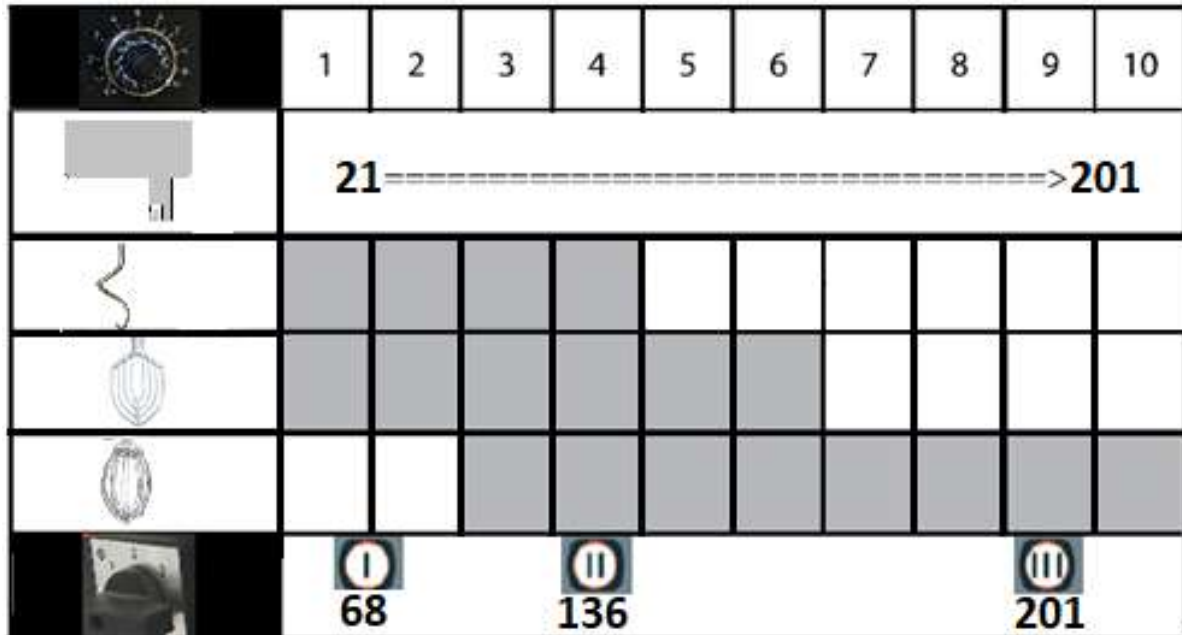


- Hold the bowl arm and move it to down.
- Place a tool inside the bowl.
- Push the tool onto the tool holder spindle, then turn it anticlockwise to lock it in position.
- Screw the apparatus arm.
- Push up the bowl arm.
- Close the safety guard.



6.3 Changing Speeds and Speed Selection

- The electronic variator offers extremely flexible operation for the user and a continuous range of speeds, so that all kinds of work can be carried out under optimum conditions for yield and quality.
- Always start in slow speed 1 to avoid splashing or clouds of flour and then gradually increase the speed depending on the work required.



6.4 Daily Operation

- Control the machine if it is clean, if not clean it properly.
- Close the circuit breaker.
- Load according to function of the work and the capacity of the machine.
- Put the dust mask on while loading flour into the bowl.
- While loading flour, prevent dispersion of the flour by putting little distance between flour bag and bowl.
- Install all the protectors its place and close it.

ATTENTION!

Do not disable the protectors designed for operation safety.
 Do not move the machine during operation.
 Do not put anything on the machine during operation.
 Do not touch moving parts of the machine during operation.
 Clean the machine when operation is completed.

6.5 Maximum Capacities

- The beater's working capacity depends upon:
 - The tool used.
 - The nature, quantity and density of the mass to be worked.
 - The optimum speed for quality results.
- Too large a quantity is always detrimental to the quality of the work and the life of the mechanical parts of the beater and may result in the motor overheating and abrupt stoppage.

Maximum recommended quantities:

Maximum amount of flour type	
IBT 22	2 kg flour with at least 55% water
IBT 32	6 kg flour with at least 55% water
IBT 42	9 kg flour with at least 55% water
IBT 64	30 kg flour with at least 60% water
IBT 80	

7. Cleaning and Hygiene

7.1 Between Two Sessions

- Remove the bowl and tool.
- Using hot water and detergent/disinfectant or degreaser (if working with greasy products), immerse and wash the inside of the bowl and the tool in the sink, then rinse in clean water and dry.
- Clean the planetary gear housing, the tool holder spindle and the safety guard with a damp sponge and a detergent disinfectant product, then rinse in clean water.

Note: Use cleaning products that are compatible with the aluminium and stainless steel parts.

Do not use hard material for cleaning the machine, otherwise your machine will be scratched and will lose its hygienic features.

7.2 After Use

- Disconnect the machine.
- Remove the bowl and tool.
- Clean the bowl and tools with detergent/disinfectant or degreaser in a sink, then rinse in clean water and dry. Only the bowl may be cleaned in a dishwasher.
- Clean the planetary housing, tool holder shaft, the safety guard and the cradle, paying attention to the bowl handles and where necessary the outside of the beater using a damp sponge and a disinfectant/detergent product, then rinse.
- Check that the different parts have been cleaned correctly.
- -Check that the products used for cleaning are compatible with the machine part materials
- Do not use abrasive detergents as these could scratch the surfaces.
- To clean the accessory appliances, check with the instruction sheet for each accessory.
- On a regular basis: (at least once a month)
 - Remove dust from the ventilation slots at the back of the machine (cause of overheating).
 - Wipe and lightly lubricate the raising and lowering pins with Vaseline.
 - Oil the tool-holder shaft (food quality oil or grease).

STRAY FLOUR PARTICLES

To reduce the emission of stray flour particles while loading the bowl, it is recommended as follows.

- Empty the flour bag or the container containing the flour without shaking it.
- Pour in the water before putting the flour in if that is possible.
- Always start at slow speed during the water/flour mixing.
- Do not shake an empty flour bag. Roll it with care.

Keeping to these simple rules will contribute to reducing the emission of flour dust and consequently reducing the risks of allergy linked to that dust.

8. Fault Finding

BREAKDOWN	REASON	SOLUTION
Machine doesn't work.	Energy does not come to machine.	Check the supply voltage.
	Supply fuse blown.	Check the fuse.
	Engine heat blown.	Wait thermal cool, and switch on
	Circuit breaker is open.	Close circuit breaker.
Engine working noise is coming, but it is not suitable	One of the feeding phases is missing.	Check phase one by one.
	Drive belts are missing or loose	Check the belt tension.
	There is a congestion in the mechanical movement	Turn off energy! and check manually whisk-dough hook-beater. Inform technical service if there is congestion.
Machine receives energy but the machine is not activated.	Engine heat is blown	Wait for thermal cooling and switch on.
	Safety Switches are not active.	Make sure that the bowl is above and protective closed.
	Switch mechanical adjustment damaged or broken.	Contact with technical service.
	Defective part in the control circuit (contactor-thermal-Button-etc ..)	Contact with technical service.

9. Maintenance

This section describes the regular maintenance work to be done. When these maintenances are carried out:

- The machine performs the mixing efficiently.
- Food products prepared by the machine becomes suitable to human health.
- The machine will be long-lasting.
- Minimum time lose due to malfunction
- Prevents small malfunctions before being grave.

9.1 Mechanical Parts

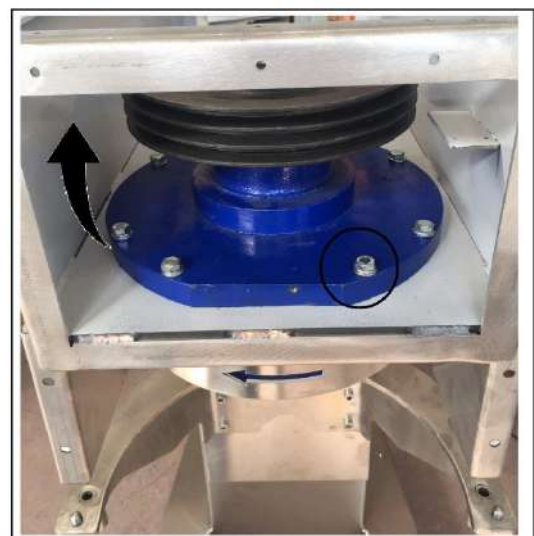
This beater requires only minimum maintenance (the bearings, motor and mechanical parts are greased for life).

At least once a year it is recommended to:

- Clear the ventilation slots if required, they can cause overheating.

Lubricate the planetary gears with a high adhesive grease.

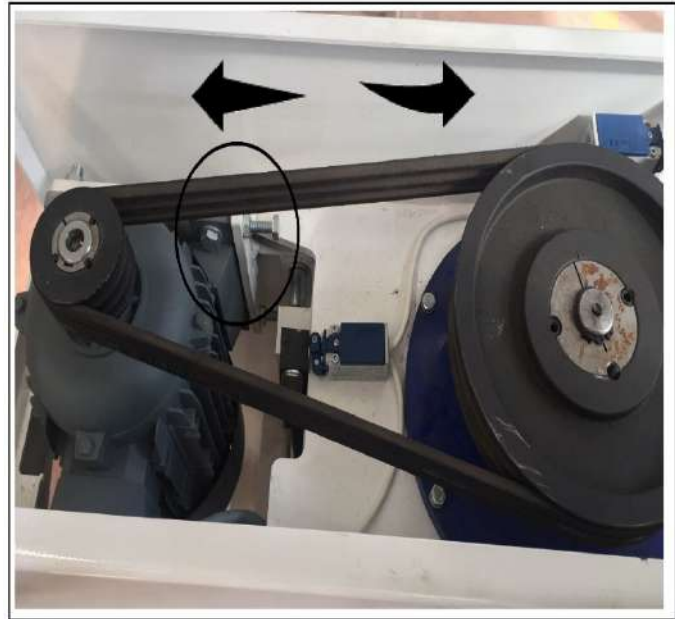
Clean out the belt dust and flour from inside the machine using a vacuum cleaner.



9.2 Check or Change Belt

Check the belt tension and degree of wear.
To check it, proceed as follows:

- Disconnect the machine.
- Remove the upper casing to access the transmission.
- If the belt is faulty:
- Loosen the 4 motor screws (size 19 mm spanner).
- Fit a new belt if required and check that the teeth are properly.
- Engaged in the pulley grooves.
- Screw the 2 tensioning bolts. (size 17mm spanner)
- Check that the tension is correct by pressing with the thumb and forefinger.



Note: It is essential to ensure the belt is properly tensioned. If there is insufficient or excessive tension, this may cause abnormal functioning of the transmission or even premature wear to the belt or bearings.

Usage errors cause shorten device's life by damaging to product.

Engine may be stopped in case of brown out or overloaded. In such situation push the stop button and unload the material, before starting it, please wait the cool down of the engine.

Please close the protection cap carefully to not harm it.

Lifetime of the product is 10 years, under the condition of recommended using instructions.

9.3 Dismantling the Planetary Assembly

Remove the casing, having first disconnected the machine.

Remove the belt.

Loosen the 8 bolts on the planetary assembly.

Remove the planetary assembly.

9.4 Checking the Safety Elements

The safety elements must be checked frequently to ensure that they operate correctly. The motor should stop when the safety guard is opened.

If one of these two functions is not implemented:

- Do not use the machine.
- Have it adjusted by your local dealer's service department.

ADDRESS FOR SERVICE REQUIREMENTS

We advise you first to contact the dealer who sold you the machine.

For any information or orders for spare parts, specify the type of machine, its serial number and the electrical specifications.

The manufacturer reserves the right to modify and make improvements to the products without giving prior warning.

Dealer's stamp



Date of purchase:

9.5 Electrical Components

- Check the condition of the power cable and the electrical components regularly.
- **Wire color Identification:**
 - Earth : (B/C) yellow/green
 - Neutral : (N) blue
 - Phase : (L) brown
 - Power circuit : black
 - Control circuit: red

10. Compliance with Regulations

The machine has been designed and manufactured in compliance with:

2014/30/EU

2014/35/EU

2006/42/EC

EN ISO 12100: 2010

EN ISO 13854:2019

EN ISO 13857: 2019

EN 60204-1:2018

EN ISO 14120: 2015

EN 1672-2:2020

EN 454:2014

REGULATION (EC) No 1935/2004

- **European Standards:**

EN 454 Beater Mixers. Safety and hygiene regulations.

This compliance is certified by:

- The CE compliance mark attached to the machine.
- The relative CE compliance declaration associated with the warranty,
- This instruction manual, which must be given to the operator.

Protection indices as per the EN 60529-2000 standard:

- IP54 electrical controls.
- IP32 overall machine.

Integral safety:

- The machine has been designed and manufactured in compliance with the relevant regulations and standards referred to above.
- Before using the machine, the operator must be trained in its use and informed of any possible residual risks.

Food hygiene:

The machine is made from materials that comply with the following regulations and standards:

- Standard EN 60204-1: cast aluminium alloy objects in contact with foodstuffs.

The surfaces of the food area are smooth and easy to clean. Use detergents that are approved for food hygiene and observe the instructions for their use.

11. Caution

In the event of danger to the user or the machine, you must use the **STOP** button.

Before any operation on the machine, remove the plug from the socket or turn off the switch at the connection point. There may be certain risks:

- The blades are very sharp and may cause serious cuts even if the machine is idle.
- The replacement of the blades must be done by an approved agent only.
- All the blades must be present to avoid fingers getting caught in the mechanism when removing bread.
- After a few days of operations, get a qualified professional to control the tension of the blades by a qualified person.
- Earthing is imperative.

1. Waarschuwing

Lees deze handleiding voordat u het apparaat inschakelt. Bewaar dit instructieboek samen met het apparaat voor toekomstig overleg.

Deze waarschuwingen zijn opgesteld voor uw veiligheid en voor die van anderen. Lees ze zorgvuldig door voordat u het apparaat installeert of gebruikt.

Het apparaat is bedoeld voor professioneel gebruik en moet worden gebruikt door gekwalificeerd personeel dat is opgeleid om het te gebruiken.

Elke wijziging die aan het elektrische systeem nodig kan zijn om de installatie van het apparaat mogelijk te maken, mag uitsluitend door bekwaam personeel worden uitgevoerd.

Het is gevaarlijk om de kenmerken van dit apparaat te wijzigen of te proberen te wijzigen. Opstarten. Dit apparaat moet geaard zijn voor uw bescherming om het risico van elektrische ontladingen te voorkomen. Het moet rechtstreeks worden aangesloten op de grondterminal van de schakelkast. De aardingskabel mag niet worden doorgesneden of losgekoppeld van de machine.

Het inbrengen van een voorwerp of vreemd lichaam anders dan dat nodig is bij de vervaardiging van het deeg is volledig verboden.

Voordat u onderhouds- of schoonmaakwerkzaamheden uit voert, koppelt u het apparaat los van het elektriciteitsnet en laat u het afkoelen.

Het geluidsdrukkniveau van de machine is lager dan 70 dB.

OPMERKING: De fabrikant kan niet verantwoordelijk worden gehouden voor het volgende:

- Onjuiste installatie van het apparaat
- Gebruik van niet-originele reserveonderdelen
- Problemen met de elektriciteitsvoorziening
- Niet-toegestane wijzigingen
- Gebrek aan dagelijks onderhoud
- Onjuist en/of onjuist gebruik van het apparaat
- Niet-conform gebruik volgens de huidige regelgeving in het land waar de machine zal worden geïnstalleerd.

2. Veiligheid

2.1 Veiligheidsvoorschriften

Het is verboden om te knoeien met de veiligheidsafschermingen en andere veiligheidsvoorzieningen van de machine. Als een van de veiligheidsvoorzieningen van de machine beschadigd is, moeten deze onmiddellijk worden gerepareerd en op dezelfde manier opnieuw worden gemonteerd.

De veiligheidsbescherming of veiligheidsvoorzieningen mogen niet van de machine worden verwijderd, behalve voor reiniging of onderhoud. De veiligheidsbescherming en de veiligheidsvoorzieningen moeten in hun oorspronkelijke plaats worden vervangen zodra de redenen voor het verwijderen ervan zijn aangepakt.

Voordat u met het reinigen of onderhouden van de machine wordt beginnen, moet u ervoor zorgen dat de stroom is losgekoppeld en de stekker is verwijderd.

In het geval van machineonderhoud, reiniging of reparaties zorgen ervoor dat de nodige voorzorgsmaatregelen worden genomen om te voorkomen dat een andere persoon de machine of een van de onderdelen ervan start. Informeer en adviseer alle werknemers over de risico's op de werkplek.

Naleving van de geldende wetgeving met betrekking tot veiligheidsvoorschriften op de werkplek.

2.2 Veiligheidsadvies

Lees de volgende instructies zorgvuldig door voordat u het apparaat voor de eerste keer gebruikt.

Dit apparaat is niet bedoeld voor gebruik door personen (inclusief kinderen) met verminderde fysieke, zintuiglijke of mentale vermogens of gebrek aan ervaring en kennis, tenzij zij toezicht of instructie hebben gekregen met betrekking tot het gebruik van het apparaat door een persoon die verantwoordelijk is voor hun veiligheid.

Kinderen moeten onder toezicht staan om ervoor te zorgen dat ze niet met het apparaat spelen.

Het apparaat mag alleen worden aangesloten op een voeding waarvan de spanning en frequentie voldoen aan de specificaties op het beoordelingsplaatje!

Gebruik of pak het apparaat nooit op als;

- Het voedings snoer is beschadigd,
- De behuizing is beschadigd.

Als het apparaat of het voedings snoer beschadigd is, moet het worden vervangen door de fabrikant, zijn serviceagent of een vergelijkbaar gekwalificeerde persoon om gevaar te voorkomen.

Koppel het apparaat altijd los van de voeding als het onbeheerd wordt achtergelaten en voordat het wordt gemonteerd, gedemonteerd of schoongemaakt.

Laat de accessoires nooit los terwijl het apparaat actief is. Vermijd contact met bewegende delen. Contact kan leiden tot letsel!

Dompel het apparaat niet onder in water of een andere vloeistof.

Gebruik het apparaat niet om verf te roeren.

Dit apparaat is alleen bedoeld voor gebruik in de keuken. De fabrikant kan geen enkele aansprakelijkheid aanvaarden voor eventuele schade veroorzaakt door onjuist of onjuist gebruik.

Schakel het apparaat nooit in totdat de werkhulpstukken zich in de mengkom met de te verwerken ingrediënten bevinden.

Wacht altijd tot de hulpstukken stoppen voordat je de kom verwijdert.

AANDACHT!

Machineopslag: -25°C tot +50°C

Omgevingstemperatuur tijdens bedrijf: +4°C tot +40°C.

Deze machine is voor professioneel gebruik en moet worden gebruikt door personeel dat is opgeleid om het te gebruiken, schoon te maken en te onderhouden, in termen van betrouwbaarheid en veiligheid.

Gebruik de machine in voldoende verlichte gebouwen (zie de toepasselijke technische norm voor het land van gebruik. Raadpleeg in Europa de norm EN 12464-1)

Controleer bij het hanteren van de machine altijd of de vastgepakte onderdelen geen mobiele elementen zijn: risico op vallen en letsel aan de onderste ledematen.

De machine is niet ontworpen voor gebruik in explosieve atmosferen.

2.3 Veiligheidsschermen

De gevaarlijkste onderdelen van de machine zijn de gereedschappen die het mengsel in het binnenste deel van de kom bewerken. Toegang tot de kom wanneer gereedschap beweegt, wordt voorkomen door een bewegende afscherming uitgerust met een veiligheids-microschakelaar; bij het tillen om het te openen, wordt de veiligheidsschakelaar die het gereedschap stopt geactiveerd, bij het sluiten begint het gereedschap niet opnieuw te bewegen.

Twee andere veiligheidsschakelaars zorgen ervoor dat het gereedschap niet kan functioneren als de kom niet correct is gemonteerd in de werkpositie van de machine, op het hoogste punt.

3. Algemene kenmerken

3.1 Beschrijving van machine

De mixer, kneedmachine, eggbeater is uitstekend geschikt voor kleine en grote productie in de zoetwaren-, voedsel-, chemische en cosmetische industrie.

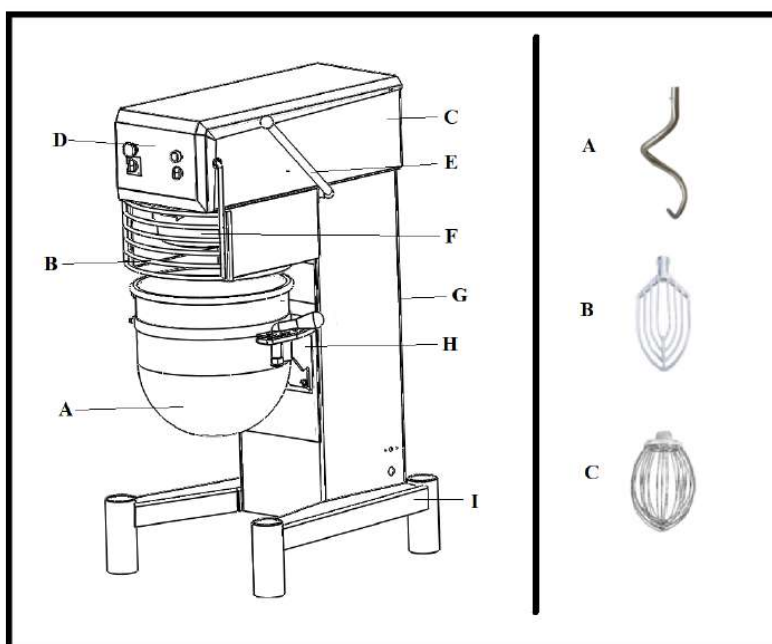
De machine is uitgerust met een snelheidsvariator, waarmee de gereedschapssnelheid kan worden geselecteerd door middel van een speciale regelaar op het bedieningspaneel. De snelheidsvariatie is geleidelijk en continu, zodat de juiste snelheid voor elke mix en voor elke stap van de productie kan worden geselecteerd zonder plotselinge snelheidsveranderingen of machinestops.

In de modellen IBT 22/32/42/64/80 kan de kom verticaal worden bewogen door middel van een hendel aan de rechterkant van de machine.

In IBT 100/140-modellen beweegt de kom verticaal door een keuze op het bedieningspaneel te bedienen. De veiligheidsbescherming kan worden verwijderd voor reiniging.

Voor speciale vereisten kan de 40 Lt mixer worden uitgerust met een tweede 30 Lt en/of 20 Lt kom en relatief gereedschap en de 60 Lt mixer kan worden uitgerust met een tweede 40 Lt en/of 30 Lt kom met relatief gereedschap.

Deze oplossing stelt de gebruiker in staat om met slechts één machine met verschillende kommen te werken. De machine wordt vervaardigd volgens de huidige CE-normen.



- A Een roestvrijstalen kom
- B Safety bewaker
- C Kop
- D Bedieningspaneel
- E Lift/onderste hendel
- F Planetair tandwielsysteem
- G Kolom
- H Bowl wieg
- I Voeten

Standaard accessoires

- A Een Haak om te kneden.
- B Paddle voor het mixen.
- C Garde voor emulsie

3.2 Machine gebruik

3.2.1 Correct gebruik

De machine moet worden bediend door personeel dat gespecialiseerd is in de productie van gebak. Afhankelijk van het gereedschap en de gekozen rotatiesnelheid; verschillende mixen kunnen met de machine worden gemaakt.

Het gebruik van gereedschap is weergegeven in de onderstaande tabel;

WERKTUIG	SNELHEID			GEBRUIKEN	VOORBEELDEN
	lbt 22				
Draadkloep	4 tot 10	4 tot 10	30 tot 80	Voor alle vloeibare producten die lucht moeten opnemen tijdens het mengen	Zachte cake, meringue, slagroom
Peddel	1 tot 8	1 tot 8	20 tot 80	Om alle producten met een gemiddelde dichtheid te mengen	Roompuffs, amandelspijs
Kneedgereedschap	1 tot 3	1 tot 3	10 tot 40	Voor al het harde deeg	Bladerdeeg, zacht gebak, pizza.

De machine is ontworpen om een verscheidenheid aan producten van verschillende consistenties te mengen, daarom is het niet altijd mogelijk om gebruik te maken van de volledige capaciteit van de kom.

We raden aan om de juiste hoeveelheid product te mengen te wegen, rekening houdend met de consistentie van het eindproduct.

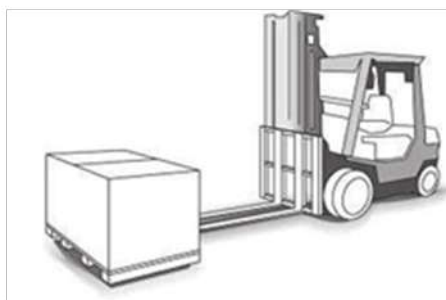
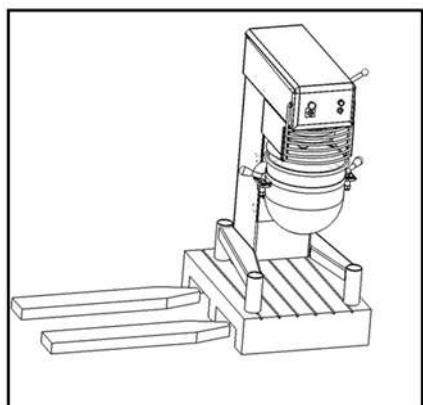
3.2.2 Onjuist gebruik

De machine is ontworpen en vervaardigd voor de toepassingen en de productsoorten die in de voor paragraaf zijn beschreven Elk ander gebruik kan de machine beschadigen en kan gevaarlijke situaties voor de werknemer veroorzaken waarvoor de fabrikant niet verantwoordelijk kan worden gehouden.

De machine mag niet worden gebruikt in ATEX-omgevingen.

4. Preassembly Instructie

4.1 Opslag en transport



- Uw machine is bij u afgeleverd op een manier die verpakt is op een pallet. Het transport van de machine moet gebeuren zoals weergegeven in de bovenstaande afbeelding, een andere manier van transport kan schade aan uw machine veroorzaken.
- Terwijl de goederen worden vervoerd, mag deze niet worden opgehangen (in de lucht hangen) en moet het transport worden gedaan met geschikte apparatuur.
- Maten en gewichten van de machines worden vermeld in de sectie Technische specificaties.
- Blanco's, gaten, armen en onderdelen op de machines mogen niet worden gebruikt voor transport. Transportweg behalve het schema kan schade aan de machine veroorzaken.
- Om arbeidsongevallen tijdens het transport van de machine te voorkomen, moet u zich strikt houden aan de regels voor gezondheid en veiligheid op het werk. Verplaats het niet zonder de nodige veiligheidsmaatregelen te nemen.
- Verantwoordelijk personeel in het transport moet veiligheidsuitrusting gebruiken, zoals helm(helm), handschoenen, stalen teenschoenen.
- Door rekening te houden met het gewicht van de machine, moet geschikte apparatuur worden gebruikt voor het transport. Voordat u gaat verhuizen, moeten het gewicht van de machine, externe afmetingen, hefpunten en zwaartepunt zorgvuldig worden gecontroleerd.
- Voordat machines worden verplaatst, moeten de afmetingen van de deur of scheidingswand worden gecontroleerd of deze geschikt is.
- Handelingen zoals accelereren en remmen tijdens het tillen en hanteren van de machine mogen niet worden uitgevoerd op een manier die schadelijk is voor werknemers.
- De machine mag niet worden opgetild en verplaatst, behalve in het bovenstaande schema.
- Controleer de verpakking en het product als het beschadigd is tijdens verzending. Als er tijdens het transport schade is ontstaan, meld dit dan bij rederij, verzekeringsmaatschappij en Salva.
- Maak zeker foto's vanuit verschillende hoeken van de beschadigde machine. Het is noodzakelijk dat de autoriteit het probleem definieert.
- Haal uit door de verpakte machine te controleren en of er gerelateerde apparatuur is. Controleer de vrachtbrief als de materialen vol zijn verzonden. Informeer Salva voor eventueel ontbrekend materiaal.
- De verpakking moet worden geopend door geautoriseerd personeel dat het product kent.
- Belast de machine nooit.

4.2 Gebruiksvoorwaarden

Voor vrijstaande apparatuur moet de vloersterkte bestand zijn tegen 250 kg. Ook voor onderhoudswerkzaamheden moet een ruimte van 350 mm achter de mixer worden gelaten.

De machine is ontworpen om te worden geïnstalleerd in afgesloten ruimtes met een temperatuur die varieert van +10 tot +40 graden Celsius. Het is niet ontworpen om buiten te worden geïnstalleerd.

Na het plaatsen van de machine op de geselecteerde plaats, die zo vlak mogelijk moet zijn, regelt u de stabilisatoren in de voorste cilindrisch hard totdat ze de vloer ontmoeten.

5. Elektrische Aansluiting

AANDACHT!

Aansluiting op de elektrische voeding moet worden gedaan volgens de juiste professionele praktijk door een gekwalificeerde en bevoegde persoon (zie de huidige normen en wetgeving in het land van installatie).

Als er een adapter op het stopcontact wordt gebruikt, moet worden gecontroleerd of de elektrische eigenschappen van deze adapter niet lager zijn dan die van de machine. Gebruik niet meerdere stekkers.

De wisselstroomtoevoer naar de machine moet voldoen aan de volgende voorwaarden:

- Maximale spanningsvariatie: $\pm 5\%$
- Maximale frequentievariatie: $\pm 1\%$ op continue basis, $\pm 2\%$ over korte periodes

LET OP: de elektrische installatie moet (voor ontwerp, creatie en onderhoud) voldoen aan de wettelijke en standaardisen in het land waar deze wordt gebruikt.

Controleer of de elektrische netspanning, de waarde op het specificatieplaatje en het label op de voedingskabel hetzelfde zijn.

- De elektrische voeding van de machine moet worden beschermd tegen spanningspieken (kortsluiting en overspanningen) door gebruik te maken van zekeringen of thermische relais van de juiste meter ten opzichte van de plaats van installatie en machinespecificaties.

LET OP: Met betrekking tot de bescherming tegen indirect contact (afhankelijk van het type voeding en de aansluiting van de blootgestelde geleidende delen op het equipotentiële beveiligingscircuit), raadpleeg punt 6.3.3 van EN 60204-1 (IEC 60204-1) met het gebruik van beveiligingsinrichtingen voor automatische uitschakeling van de stroom in geval van een isolatiefout met een TN of TT, systeem, of voor het IT-systeem, met behulp van een permanente isolatie of differentiële controller voor automatische uitschakeling. Voor deze bescherming moeten de eisen van IEC 60364-4-41, 413.1 van toepassing zijn.

LET OP: Het niet opvolgen van deze instructies betekent dat de klant het risico loopt op machinestoringen en/of ongevallen als gevolg van directe of indirecte contacten.



AANDACHT!

Sluit de elektriciteit af en vergrendel deze voordat u de elektriciteitsverbinding maakt.

Sluit de stekker van de stroomonderbreker aan voor elke machine.

Bedien de machine niet zonder reststroomrelais en aarding.

Controleer het apparaat op de richtingen van de draai pijlen die op de kom worden weergegeven.

Moet worden geaard met behulp van de groene en gele draad.

Controleer of de elektrische netspanning, de waarde op het specificatieplaatje en het label op de voedingskabel hetzelfde zijn.

	Voedingsspanning	Elektrisch vermogen Max.
IBT 22-33	380 V / 3P / 50 Hz	0,5 – 0,7 – 0,9 kW
IBT 22-VE	220 V / 1P / 50 Hz	1,5 kW
IBT 32-33	380 V / 3P / 50 Hz	0,5 – 0,7 – 0,9 Kw
IBT 32-VE	220 V / 1P / 50 Hz	1,5 Kw
IBT 42-33	380 V / 3P / 50 Hz	1,0 – 1,5 – 1,8 Kw
IBT 42-VE	220 V / 1P / 50 Hz	3,0 Kw
IBT 64-33	380 V / 3P / 50 Hz	1,0 – 1,5 – 1,8 Kw
IBT 64-VE	220 V / 1P / 50 Hz	3,0 Kw
IBT 80-VE	380 V / 3P / 50 Hz	4,0 Kw

6. Gebruik en Veiligheid

AANDACHT!

Reinig het apparaat goed voordat u het voor het eerst gebruikt.

Ongecontroleerde sluiting van het deksel of de rampers brengt het risico met zich me dat de vingers worden verbrijzeld.

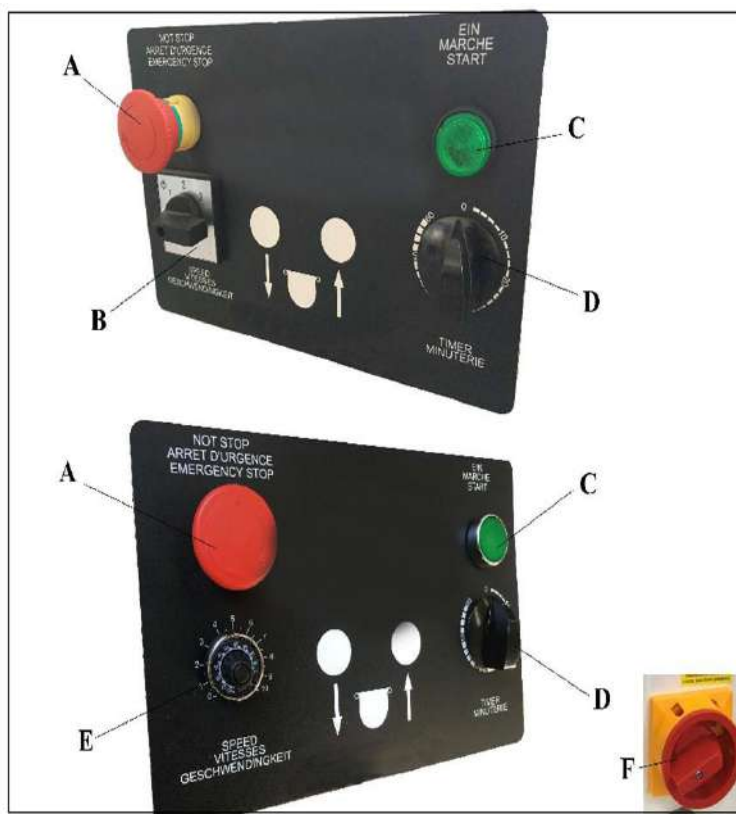
Steek nooit een hand in het werkgebied terwijl de machine in bedrijf is, risico op letsel. Het is ten strengste verboden om de veiligheidssystemen buiten werking te stellen of aan te passen: Risico op blijvend letsel!!!!

Controleer voor gebruik of de veiligheidsvoorzieningen correct werken (zie het gedeelte over «controles van veiligheidssystemen»).

Steek nooit een hand, een hard of bevroren voorwerp in het apparaat.

Gebruik om gezondheids- en veiligheidsredenen altijd een sterke wasbare of wegwerpbare hoofdbedekking die het haar volledig bedekt.

6.1 Werking – Veiligheid



- A: NOODSTOPKNOP (Rode Paddenstoelknop)
- B – E: SNELHEIDSSCHAKELAAR
- C: STARTKNOP (groene knop)
- D: TIMER
- F: AAN/UIT-SCHAKELAAR

In dit deel is alle informatie en instructie gegeven om de machine te bedienen. De operator moet deze instructies kennen voordat hij deze gebruikt.

De veiligheid van de gebruiker wordt gegarandeerd door:

De motor stopt wanneer de afscherming wordt geopend.

Het ontwerp van de afscherming waarmee producten perfect veilig kunnen worden toegevoegd tijdens het gebruik.

De motor stopt wanneer de houder wordt neergelaten. Het start niet opnieuw wanneer de START-schakelaar wordt ingedrukt.

Het is nodig om op de START-knop te drukken nadat het apparaat is gestopt.

Bescherming tegen stroom- en stroompieken, stroomuitval en oververhitting van de motor.

Naleving van de instructies in deze handleiding voor het gebruik, de reiniging en het onderhoud van de machine.

Je moet de apparaatsnelheden voor snelheidsinstelling van tafel of selectiesticker bekijken.

Ten eerste moeten kom en beschermer in de juiste positie staan om te starten.

(Er zijn drie beschermerschakelaars voor kom, kompositie en veiligheidsafdekking)

- a) Draai naar rechts de knop F voor energie.
- b) Getimedede werking
 - Draai naar de rechter richting de knop D voor het instellen van de tijd.
 - Draai naar links richting de knop D voor continu gebruik.
- c) Draai naar de rechter richting de knop B-E voor het instellen van de snelheid.
- d) Druk op de knop C om te beginnen met werken.
- e) Als u het apparaat wilt stoppen, drukt u op de knop A.
 - Wanneer de operator de kombeschermer opent of als u de kom naar een lagere positie beweegt, wordt de machine gestopt. de operator moet op de knop C drukken om weer te kunnen werken.
 - De operator moet de snelheden van het apparaat voor het instellen van de snelheid uit de tabel bekijken.

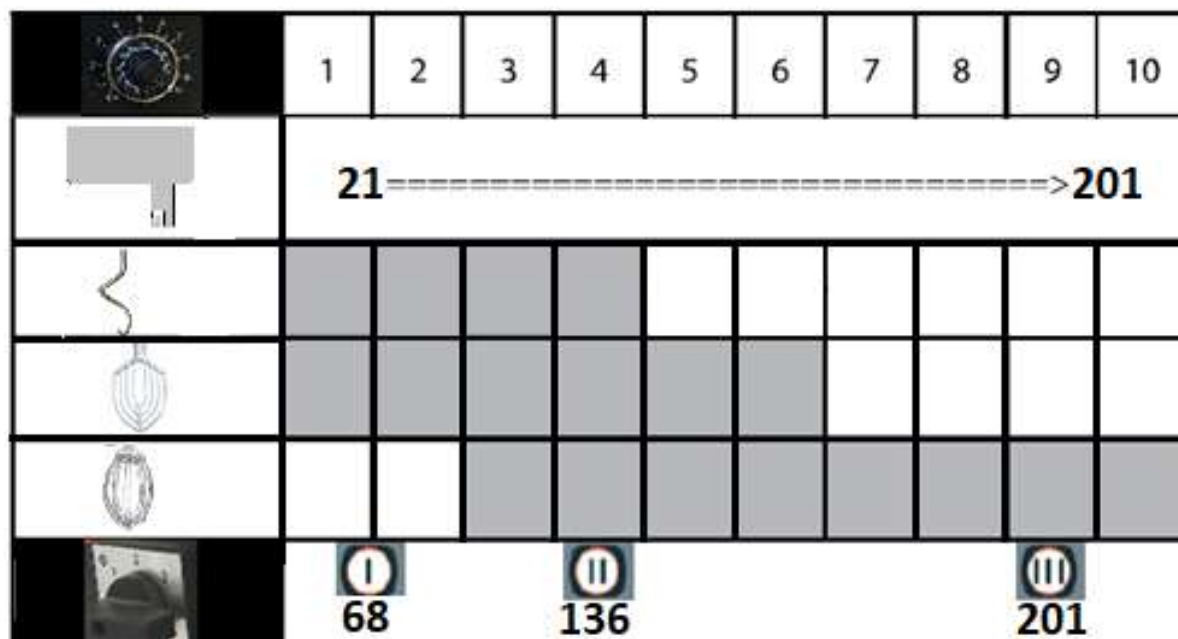
6.2 Montage van de kom en gereedschappen



- Houd de komarm vast en beweeg deze naar beneden.
- Plaats een gereedschap in de kom.
- Duw het gereedschap op de spil van de gereedschapshouder en draai het vervolgens tegen de klok in om het op zijn plaats te vergrendelen.
- Schroef de apparaatarm vast.
- Duw de komarm omhoog.
- Sluit de beschermkap.

6.3 Snelheids- en snelheidsselectie wijzigen

- De elektronische variator biedt een uiterst flexibele bediening voor de gebruiker en een continu bereik van snelheden, zodat allerlei werkzaamheden kunnen worden uitgevoerd onder optimale omstandigheden voor opbrengst en kwaliteit.
- Begin altijd in lage snelheid 1 om spatten of wolken meel te voorkomen en verhoog vervolgens geleidelijk de snelheid afhankelijk van het vereiste werk.



6.4 Dagelijkse werking

- Bedien de machine als deze schoon is, zo niet goed.
- Sluit de stroomonderbreker.
- Belasting volgens functie van het werk en de capaciteit van de machine.
- Doe het stofmasker op terwijl je bloem in de kom laadt.
- Voorkom tijdens het laden van meel de verspreiding van het meel door weinig afstand te nemen tussen de bloemzak en de kom.
- Installeer alle beschermers op zijn plaats en sluit het.

AANDACHT!

Schakel de beschermers die zijn ontworpen voor de veiligheid van de werking niet uit.
Verplaats het apparaat niet tijdens het gebruik.
Plaats niets op het apparaat tijdens het gebruik.
Raak bewegende delen van het apparaat niet aan tijdens het gebruik.
Reinig het apparaat wanneer de bewerking is voltooid.

6.5 Maximale capaciteiten

- De werkcapaciteit van de klopper is afhankelijk van:
 - De gebruikte tool.
 - De aard, hoeveelheid en dichtheid van de te bewerkbare massa.
 - De optimale snelheid voor kwaliteitsresultaten.
- Een te grote hoeveelheid is altijd schadelijk voor de kwaliteit van het werk en de levensduur van de mechanische onderdelen van de klopper en kan leiden tot oververhitting van de motor en abrupte stilstand van de motor.

Aanbevolen maximumhoeveelheden:

Maximale hoeveelheid meelsoort	
IBT 22	2 kg bloem met minimaal 55% water
IBT 32	6 kg bloem met minstens 55% water
IBT 42	9 kg bloem met minstens 55% water
IBT 64	30 kg bloem met minimaal 60% water
IBT 80	

7. Reiniging en hygiëne

7.1 Tussen twee sessies

- Verwijder de kom en het gereedschap.
- Gebruik heet water en wasmiddel /ontsmettingsmiddel of ontvetter (als u met vette producten werkt), dompel de binnenkant van de kom en het gereedschap onder in de gootsteen en spoel het vervolgens af in schoon water en droog.
- -Reinig de behuizing van het planetaire tandwiel, de spil van de gereedschapshouder en de beschermkap met een vochtige spons en een reinigingsmiddel en spoel vervolgens af in schoon water.

Opmerking: Gebruik reinigingsproducten die compatibel zijn met de aluminium en roestvrijstalen onderdelen. Gebruik geen hard materiaal voor het reinigen van de machine, anders raakt uw machine bekrast en verliest deze zijn hygiënische eigenschappen.

7.2 Na gebruik

- Koppel het apparaat los.
- Verwijder de kom en het gereedschap.
- Reinig de kom en het gereedschap met wasmiddel/ontsmettingsmiddel of ontvetter in een gootsteen, spoel vervolgens af in schoon water en droog. Alleen de kom mag in een vaatwasser worden schoongemaakt.
- Reinig de planetaire behuizing, de as van de gereedschapshouder, de beschermkap en de houder, let op de handgrepen van de kom en waar nodig de buitenkant van de klopper met een vochtige spons en een desinfecterend / reinigingsmiddelproduct en spoel vervolgens af.
- Controleer of de verschillende onderdelen correct zijn gereinigd.
- Controleer of de producten die worden gebruikt voor het reinigen compatibel zijn met de materialen van het machineonderdeel.
- Gebruik geen schurende reinigingsmiddelen omdat deze krassen op de oppervlakken kunnen hebben.
- Om de accessoires schoon te maken, controleert u het instructieblad voor elk accessoire.
- Op regelmatige basis: (minstens één keer per maand)
 - Verwijder stof uit de ventilatiesleuven aan de achterkant van de
 - machine (oorzaak van oververhitting).
 - Veeg en smeer de op- en neerlatende pinnen lichtjes in met vaseline.
 - Olie de as van de gereedschapshouder (olie of vet van voedselkwaliteit).

VERDWAALDE MEELDELTJES

Om de uitstoot van verdwaalde meeldeeltjes tijdens het laden van de kom te verminderen, wordt het als volgt aanbevolen.

- Leeg de bloemzak of de container met de bloem zonder het te schudden.
- Giet het water er in voordat je de bloem erin doet als dat mogelijk is.
- Start altijd op lage snelheid tijdens het mengen van water/bloem.
- Schud een lege bloemzak niet. Rol het voorzichtig op.

Het volgen van deze eenvoudige regels zal bijdragen tot het verminderen van de uitstoot van meelstof en bijgevolg tot het verminderen van de risico's van allergie die aan dat stof verbonden zijn.

8. Foutopsporing

PANNE	REDEN	OPLOSSING
Machine werkt niet.	Energie komt niet naar de machine.	Controleer de voedingsspanning.
	Toevoer zekering geblazen.	Controleer de zekering.
	Motorwarmte geblazen.	Wacht thermisch koel en schakel in
	Stroomonderbreker is geopend.	Sluit stroomonderbreker.
Motorwerkgeluid komt eraan, maar het is niet geschikt	Een van de voedingsfasen ontbreekt.	Controleer fase één voor één.
	Aandrijfriemen ontbreken of zitten los	Controleer de riemspanning.
	Er is een congestie in het mechanische uurwerk	Zet energie uit! en controleer handmatig deeghaakklopper. Informeer de technische dienst als er congestie is.
Machine ontvangt energiewanneer de machine niet wordt geactiveerd.	Motorwarmte wordt geblazen	Wacht op thermische koeling en schakel in.
	Veiligheidsschakelaars zijn niet actief.	Zorg ervoor dat de kom boven en beschermend gesloten is.
	Mechanische afstelling schakelaar beschadigd of gebroken.	Contact met de technische dienst.
	Defect onderdeel in het regelcircuit (contactor-thermal-Button-etc ..)	Contact met de technische dienst.

9. Onderhoud

In dit gedeelte worden de reguliere onderhoudswerkzaamheden beschreven. Wanneer deze onderhoud wordt uitgevoerd:

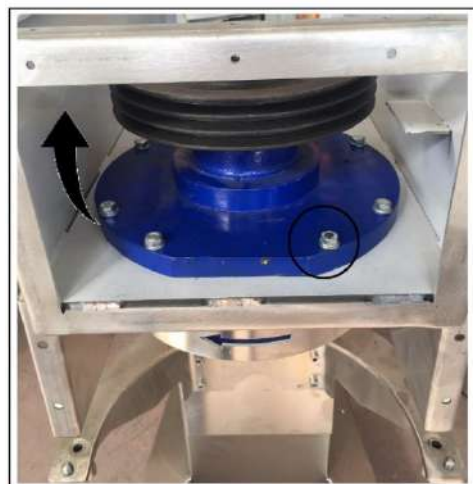
- De machine voert het mengen efficiënt uit.
- Door de machine bereide levensmiddelen worden geschikt voor de menselijke gezondheid.
- De machine gaat lang mee.
- Minimaal tijdverlies door storing
- Voorkomt kleine storingen voordat ze ernstig zijn.

9.1 Mechanische onderdelen

Deze klopper vereist slechts minimaal onderhoud (de lagers, motor en mechanische onderdelen zijn levenslang ingevet).

Ten minste eenmaal per jaar wordt aanbevolen om:

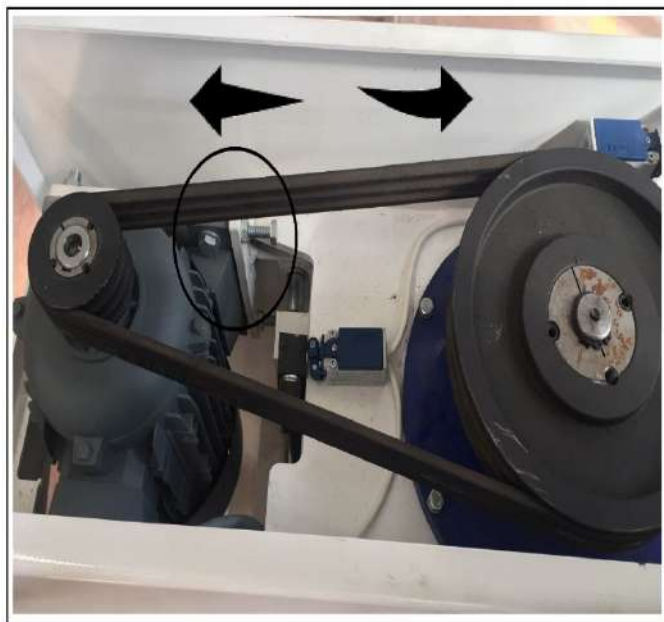
- Maak indien nodig de ventilatiesleuven vrij, ze kunnen oververhitting veroorzaken.
- Smeer de planetaire tandwielen met een hoog kleefvet.
- Reinig het bandstof en meel uit de machine met behulp van een stofzuiger.



9.2 Riem controleren of veranderen

Controleer de riemspanning en de mate van slijtage. Ga verder om het te controleren als volgt:

- Koppel het apparaat los.
- Verwijder de bovenste behuizing om toegang te krijgen tot de transmissie.
- Als de riem defect is:
- Draai de 4 motorschroeven los (maat 19 mm sleutel).
- Monteer indien nodig een nieuwe riem en controleer of de tanden goed zijn.
- Bezig met de katrolgroeven.
- Schroef de 2 spanbouten vast. (maat 17mm sleutel)
- Controleer of de spanning juist is door met duim en wijsvinger te drukken.



Opmerking: Het is essentieel om ervoor te zorgen dat de riem goed wordt gespannen. Als er onvoldoende of overmatige spanning is, kan dit een abnormale werking van de transmissie of zelfs voortijdige slijtage aan de riem of lagers veroorzaken.

Gebruiksfouten verkorten de levensduur van het apparaat door het product te beschadigen.

De motor kan worden gestopt in geval van bruin uit of overbelast. Druk in een dergelijke situatie op de stopknop en laad het materiaal uit, wacht voordat u het start op het afkoelen van de motor.

Sluit de beschermkap zorgvuldig om deze niet te beschadigen.

Levensduur van het product is 10 jaar, onder de voorwaarde van aanbevolen met behulp van instructies.

9.3 Ontmanteling van de planetaire assemblage

Verwijder de behuizing nadat u eerst de verbinding hebt verbroken. de machine.

Verwijder de riem.

Maak de 8 bouten op de planetaire assemblage los.

Verwijder de planetaire assemblage.

9.4 Controle van de veiligheidselementen

De veiligheidselementen moeten regelmatig worden gecontroleerd om dit te garanderen dat ze correct werken. De motor moet stoppen wanneer de beschermkap wordt geopend. Als een van deze twee functies niet is geïmplementeerd:

- Gebruik het apparaat niet.
- Laat het aanpassen door de serviceafdeling van uw lokale dealer.

ADRES VOOR SERVICEVEREISTEN

Wij adviseren u om eerst contact op te nemen met de dealer die u de machine heeft verkocht.

Voor informatie of bestellingen voor reserveonderdelen, specificeer het type machine, het serie-nummer en de elektrische Specificaties.

De fabrikant behoudt zich het recht voor om te wijzigen en verbeteringen aan te brengen aan de producten zonder voorafgaande waarschuwing.

Dealer's stamp



Date of purchase:

9.5 Elektrische componenten

- Controleer de staat van de voedingskabel en de elektrische componenten regelmatig.
- Draad kleur Identificatie:
 - Aarde: (B/C) geel/groen
 - Neutraal: (N) blauw
 - Fase: (L) bruin
 - Stroomcircuit: zwart
 - Controle circuit: rood

10. Naleving van de regelgeving

De machine is ontworpen en vervaardigd in overeenstemming met:

30/2014/EU

35/2014/EU

2006/42/EG

EN ISO 12100: 2010

NL ISO 13854:2019

EN ISO 13857: 2019

EN 60204-1:2018

EN ISO 14120: 2015

EN 1672-2:2020

NL 454:2014

VERORDENING (EG) Nr. 1935/2004

- **Europese normen:** EN 454 Kloppermengkranen. Veiligheids- en hygiënevoorschriften.

Deze naleving wordt gecertificeerd door:

- De CE-markering die aan de machine is bevestigd.
- De relatieve CE-conformiteitsverklaring die bij de garantie is aangesloten,
- Deze handleiding, die aan de operator moet worden verstrekt.

Beschermingsindexen volgens de EN 60529-2000standaard:

- IP54 elektrische bedieningselementen.
- IP32 totale machine.

Integrale veiligheid:

- De machine is ontworpen en vervaardigd in overeenstemming met de relevante regelgeving en normen waarnaar wordt verwezen boven.
- Alvorens de machine te gebruiken, moet de bediener getraind zijn in zijn gebruik en geïnformeerd over eventuele restrisico's.

Voedselhygiëne:

De machine is gemaakt van materialen die voldoen aan de volgende voorschriften en normen:

- Norm EN 60204-1: gegoten aluminiumlegering objecten in contact met levensmiddelen.

De oppervlakken van het voedselgebied zijn glad en gemakkelijk schoon te maken. Gebruik reinigingsmiddelen die zijn goedgekeurd voor voedselhygiëne en neem de instructies voor het gebruik ervan in acht.

11. Voorzichtigheid

In geval van gevaar voor de gebruiker of de machine moet u de STOP-knop gebruiken.

Voordat u het apparaat bewerkt, haalt u de stekker uit het stopcontact of schakelt u de schakelaar op het aansluitpunt uit. Er kunnen bepaalde risico's zijn:

- De messen zijn zeer scherp en kunnen ernstige snijwonden veroorzaken, zelfs als de machine stationair draait.
- De vervanging van de messen mag alleen worden gedaan door een goedgekeurde agent.
- Alle messen moeten aanwezig zijn om te voorkomen dat vingers vast komen te zitten in het mechanisme bij het verwijderen van brood.
- Na een paar dagen van operatiesij, krijg een gekwalificeerde professional om de spanning van de messen te regelen door een gekwalificeerde persoon.
- Aarding is noodzakelijk.

1. Warnung

Lesen Sie diese Bedienungsanleitung, bevor Sie das Gerät einschalten. Bewahren Sie diese Bedienungsanleitung zusammen mit dem Gerät für zukünftige Beratungen auf.

Diese Warnungen wurden zu Ihrer Sicherheit und zu der anderer verfasst. Bitte lesen Sie diese sorgfältig durch, bevor Sie die Appliance installieren oder verwenden.

Das Gerät ist für den professionellen Gebrauch bestimmt und muss von qualifiziertem Personal verwendet werden, das für die Verwendung geschult ist.

Jede Änderung, die an der elektrischen Anlage erforderlich sein kann, um die Installation des Geräts zu ermöglichen, darf ausschließlich von sachkundigem Personal durchgeführt werden.

Es ist gefährlich, die Eigenschaften dieser Appliance zu modifizieren oder zu versuchen, sie zu modifizieren. Inbetriebnahme. Dieses Gerät muss zu Ihrem Schutz geerdet sein, um das Risiko elektrischer Entladungen zu vermeiden. Er sollte direkt an die Masseklemme des Schaltschranks angeschlossen werden. Das Erdungskabel darf nicht durchtrennt oder von der Maschine getrennt werden.

Das Einbringen eines Gegenstandes oder Fremdkörpers, der nicht bei der Herstellung des Teigs erforderlich ist, ist völlig verboten.

Bevor Sie Wartungs- oder Reinigungsarbeiten durchführen, trennen Sie das Gerät vom Stromnetz und lassen Sie es abkühlen.

Der von der Maschine abgegebene Schalldruckpegel liegt unter 70 dB.

HINWEIS: Der Hersteller haftet nicht für Folgendes:

- Falsche Installation der Maschine
- Verwendung von nicht originalen Ersatzteilen
- Probleme mit der Stromversorgung
- Nicht autorisierte Änderungen
- Mangel an täglicher Wartung
- Unsachgemäße und/oder unsachgemäße Verwendung der Maschine
- Nicht konforme Verwendung gemäß den geltenden Vorschriften in dem Land, in dem die Maschine installiert wird.

2. Sicherheit

2.1 Sicherheitsvorschriften

Es ist verboten, die Schutzeinrichtungen und andere Sicherheitsvorrichtungen der Maschine zu manipulieren. Wenn eines der Sicherheitsmerkmale der Maschine beschädigt ist, müssen sie sofort repariert und auf die gleiche Weise wieder montiert werden.

Die Schutzeinrichtungen oder Sicherheitseinrichtungen dürfen nur zur Reinigung oder Wartung von der Maschine entfernt werden. Die Schutzeinrichtungen und Sicherheitseinrichtungen müssen in ihrer ursprünglichen Position ausgetauscht werden, sobald die Gründe für ihre Entfernung geklärt sind.

Bevor Sie mit der Reinigung oder Wartung der Maschine beginnen, stellen Sie sicher, dass die Stromversorgung getrennt und der Stecker entfernt wurde.

Im Falle der Wartung, Reinigung oder Reparatur der Maschine stellen Sie sicher, dass die notwendigen Vorkehrungen getroffen werden, um zu vermeiden, dass eine andere Person die Maschine oder eines ihrer Teile startet. Informieren und beraten Sie alle Arbeitnehmer über die Risiken am Arbeitsplatz. Einhaltung der geltenden Rechtsvorschriften über Sicherheitsvorschriften am Arbeitsplatz.

2.2 Sicherheitshinweise

Lesen Sie die folgenden Anweisungen sorgfältig durch, bevor Sie die Appliance zum ersten Mal verwenden.

Dieses Gerät ist nicht für die Verwendung durch Personen (einschließlich Kinder) mit eingeschränkten körperlichen, sensorischen oder geistigen Fähigkeiten oder mangelnder Erfahrung und Kenntnissen bestimmt, es sei denn, sie wurden von einer für ihre Sicherheit verantwortlichen Person beaufsichtigt oder in Bezug auf die Verwendung des Geräts einweisungsvoll.

Kinder sollten beaufsichtigt werden, um sicherzustellen, dass sie nicht mit dem Gerät spielen.

Das Gerät darf nur an ein Netzteil angeschlossen werden, dessen Spannung und Frequenz den Angaben auf dem Typenschild entsprechen! Verwenden oder holen Sie das Gerät niemals ab, wenn;

- das Versorgungskabel beschädigt ist,
- Das Gehäuse ist beschädigt.

Wenn das Gerät oder das Versorgungskabel beschädigt ist, muss es vom Hersteller, seinem Servicemitarbeiter oder einer ähnlich qualifizierten Person ausgetauscht werden, um Gefahren zu vermeiden.

Trennen Sie das Gerät immer von der Versorgung, wenn es unbeaufsichtigt bleibt, und vor dem Zusammenbau, Demontage oder Reinigen.

Lassen Sie das Zubehör niemals los, während die Appliance läuft. Vermeiden Sie den Kontakt mit beweglichen Teilen. Kontakt kann zu Verletzungen führen!

Tauchen Sie das Gerät nicht in Wasser oder eine andere Flüssigkeit.

Verwenden Sie das Gerät nicht, um Farbe zu rühren.

Dieses Gerät ist nur für den Küchengebrauch bestimmt. Der Hersteller kann keine Haftung für mögliche Schäden übernehmen, die durch unsachgemäße oder unsachgemäße Verwendung verursacht werden.

Schalten Sie das Gerät niemals ein, bis sich die Arbeitsaufsätze in der Rührschüssel mit den zu verarbeitenden Zutaten befinden.

Warten Sie immer, bis die Aufsätze aufhören, bevor Sie die Schüssel entfernen.

AUFMERKSAMKEIT!

Maschinenlager: -25°C bis +50°C

Umgebungstemperatur während des Betriebs: +4°C bis +40°C.

Diese Maschine ist für den professionellen Einsatz und muss von Personal verwendet werden, das geschult ist, sie in Bezug auf Zuverlässigkeit und Sicherheit zu verwenden, zu reinigen und zu warten.

Verwenden Sie die Maschine in ausreichend beleuchteten Räumlichkeiten (Siehe geltende technische Norm für das Verwendungsland. In Europa siehe Norm EN 12464-1)

Achten Sie beim Umgang mit der Maschine immer darauf, dass es sich bei den an ortgenommenen Teilen nicht um bewegliche Elemente handelt: Risiko des Herunterfallens und der Verletzung der unteren Gliedmaßen.

Die Maschine ist nicht für den Einsatz in explosionsgefährdeten Bereichen ausgelegt.

2.3 Schutzgitter

Die gefährlichsten Teile der Maschine sind die Werkzeuge, die die Mischung im inneren Teil der Schüssel bearbeiten. Der Zugang zur Schüssel bei bewegten Werkzeugen wird durch einen beweglichen Schutz verhindert, der mit einem Sicherheitsmikroschalter ausgestattet ist. Beim Anheben zum Öffnen wird der Sicherheitsschalter, der das Werkzeug stoppt, aktiviert, beim Schließen beginnt sich das Werkzeug nicht wieder zu bewegen.

Zwei weitere Sicherheitsschalter sorgen dafür, dass das Werkzeug nicht funktionieren kann, wenn die Schüssel nicht korrekt in der Arbeitsposition der Maschine am höchsten Punkt montiert ist.

3. Allgemeine Merkmale

3.1 Beschreibung der Maschine

Der Mixer, die Knetmaschine, der Eierschläger eignet sich hervorragend für die kleine und große Produktion in der Süßwaren-, Lebensmittel-, Chemie- und Kosmetikindustrie.

Die Maschine ist mit einem Drehzahlvariator ausgestattet, der es ermöglicht, die Werkzeuggeschwindigkeit über einen speziellen Regler auf dem Bedienfeld auszuwählen. Die Geschwindigkeitsvariation erfolgt schrittweise und kontinuierlich, so dass die geeignete Geschwindigkeit für jede Mischung und für jeden Schritt der Produktion ohne plötzliche Geschwindigkeitsänderungen oder Maschinenstillstände ausgewählt werden kann.

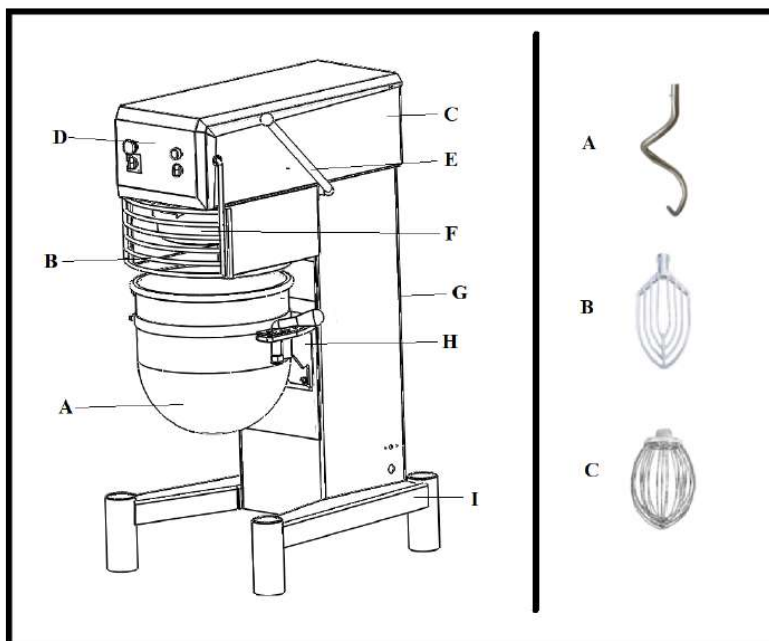
Bei den Modellen IBT 22/32/42/64/80 kann die Schüssel über einen auf der rechten Seite der Maschine positionierten Hebel vertikal bewegt werden.

Bei IBT 100/140-Modellen bewegt sich die Schüssel vertikal, indem ein Wählschalter am Bedienfeld bedient wird. Der Sicherheitsschutz kann zur Reinigung entfernt werden.

Für spezielle Anforderungen kann der 40 Lt Mixer mit einer zweiten 30 Lt und/oder 20 Lt Schüssel und relativen Werkzeugen ausgestattet werden und der 60 Lt Mixer kann mit einer zweiten 40 Lt und/oder 30 Lt Schüssel mit relativen Werkzeugen ausgestattet werden.

Diese Lösung ermöglicht es dem Benutzer, mit nur einer Maschine mit verschiedenen Schüsseln zu arbeiten.

Die Maschine wird nach aktuellen CE-Normen gefertigt.



- A Eine Edelstahlschüssel
- B Safety Wächter
- C Kopf
- D Systemsteuerung
- E Lift/unterer Hebel
- F Planetengetriebe
- G-Spalte
- H Schüssel Wiege
- I Füße

Standard Zubehör

- A Ein Haken zum Kneten.
- B Paddel zum Mischen.
- C Schneebesen für Emulsion

3.2 Maschineneinsatz

3.2.1 Korrekte Verwendung

Die Maschine muss von Personal bedient werden, das auf die Herstellung von Gebäck spezialisiert ist. Abhängig vom gewählten Werkzeug und der gewählten Drehzahl; verschiedene Mischungen können mit der Maschine hergestellt werden.

Die Verwendung des Tools ist in der folgenden Tabelle dargestellt.

WERKZEUG	GESCHWINDIGKEIT			GEBRAUCHEN	BEISPIELE IBT 22
	IBT 22				
Drahtbesen	4 bis 10	4 bis 10	30 bis 80	Drahtbesen	4 bis 10
Paddel	1 bis 8	1 bis 8	20 bis 80	Paddel	1 bis 8
Knetwerkzeug	1 bis 3	1 bis 3	10 bis 40	Knetwerkzeug	1 bis 3

Die Maschine wurde entwickelt, um eine Vielzahl von Produkten unterschiedlicher Konsistenz zu mischen, daher ist es nicht immer möglich, die gesamte Kapazität der Schüssel zu nutzen.

Wir empfehlen, die richtige Menge des zu mischende Produkts unter Berücksichtigung der Konsistenz des Endprodukts zu wiegen.

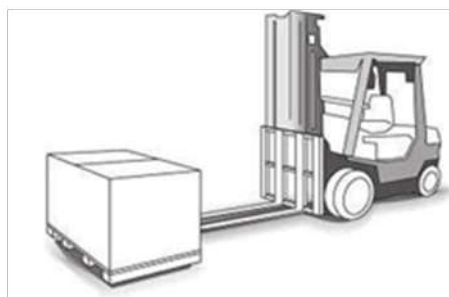
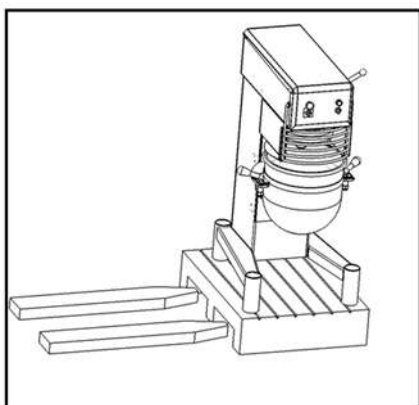
3.2.2 Falsche Verwendung

Die Maschine wurde für die im vorstehend beschriebenen Verwendungszwecke und Produkttypen konzipiert und hergestellt. Jede andere Verwendung kann die Maschine beschädigen und gefährliche Situationen für den Arbeiter verursachen, für die der Hersteller nicht verantwortlich gemacht werden kann.

Die Maschine darf nicht in ATEX-Umgebungen verwendet werden.

4. Vormontage Anleitung

4.1 Lagerung und Transport



- Ihre Maschine wurde Ihnen so geliefert, dass sie auf einer Palette verpackt ist. Der Transport der Maschine muss wie im Bild oben gezeigt erfolgen, eine andere Transportmöglichkeit kann Schäden an Ihrer Maschine verursachen.
- Während des Transports der Ware sollte sie nicht hängen gelassen werden (in der Luft hängen), und der Transport sollte mit geeigneter Ausrüstung erfolgen.
- Größen und Gewichte der Maschinen sind im Abschnitt Technische Spezifikationen angegeben.
- Rohlinge, Löcher, Arme und Teile, die sich auf den Maschinen befinden, sollten nicht für den Transport verwendet werden. Transportweg mit Ausnahme des Schemas kann zu Schäden an der Maschine führen.
- Um Arbeitsunfälle während des Transports der Maschine zu vermeiden, halten Sie sich strikt an die Regeln des Arbeits- und Gesundheitsschutzes. Bewegen Sie es nicht, ohne die notwendigen Sicherheitsvorkehrungen zu treffen.
- Das zuständige Personal im Transport muss Sicherheitsausrüstung wie Schutzhelm (Helm), Handschuhe, Stahlschuhe verwenden.
- Unter Berücksichtigung des Gewichts der Maschine muss für den Transport eine geeignete Ausrüstung verwendet werden. Vor dem Umzug müssen das Gewicht der Maschine, die Außenmaße, die Hubpunkte und der Schwerpunkt sorgfältig überprüft werden.
- Vor dem Umzug der Maschine sollten die Abmessungen der Tür oder Trennwand überprüft werden, ob sie geeignet ist.
- Vorgänge wie Beschleunigen und Bremsen beim Heben und Handling der Maschine dürfen nicht in einer für die Mitarbeiter schädlichen Weise erfolgen.
- Die Maschine sollte nicht angehoben und verschoben werden, mit Ausnahme des obigen Schemas.
- Überprüfen Sie die Verpackung und das Produkt, wenn es während des Versands beschädigt wird. Wenn während des Transports Schäden aufgetreten sind, melden Sie sich bei der Reederei, der Versicherungsgesellschaft und Salva.
- Natürlich, fotografieren Sie verschiedene Winkel der beschädigten Maschine. Es ist notwendig, dass die Behörde das Problem definiert.
- Herausnehmen, indem Sie die verpackte Maschine überprüfen und ob es entsprechende Ausrüstung gibt. Überprüfen Sie den Frachtbrief, wenn die Materialien vollständig versendet werden. Bitte informieren Sie Salva über fehlendes Material.
- Die Verpackung muss von autorisiertem Personal geöffnet werden, das das Produkt kennt.
- Legen Sie niemals die Last auf die Maschine.

4.2 Nutzungsbedingungen

Bei freistehenden Geräten muss die Bodenfestigkeit 250 kg standhalten. Ebenso muss bei Wartungsarbeiten ein Raum von 350 mm hinter dem Mischer gelassen werden.

Die Maschine wurde für die Installation in geschlossenen Bereichen mit einer Temperatur von +10 bis +40 Grad Celsius konzipiert. Es wurde nicht für die Installation im Freien entwickelt.

Nachdem Sie die Maschine an der gewählten Stelle positioniert haben, die so eben wie möglich sein muss, regulieren Sie die Stabilisatoren in der Front zylindrisch hart, bis sie auf den Boden treffen.

5. Elektrischer Anschluss

AUFMERKSAMKEIT!

Der Anschluss an die Stromversorgung muss gemäß der ordnungsgemäßen beruflichen Praxis von einer qualifizierten und autorisierten Person erfolgen (siehe aktuelle Normen und Gesetze im Land der Installation). Wird an der Steckdose ein Adapter verwendet, muss geprüft werden, ob die elektrischen Eigenschaften dieses Adapters nicht geringer sind als die der Maschine. Verwenden Sie nicht mehrere Stecker.

Die Wechselstromversorgung der Maschine muss die folgenden Bedingungen erfüllen:

- Maximale Spannungsschwankung: $\pm 5\%$
- Maximale Frequenzvariation: $\pm 1\%$ auf kontinuierlicher Basis, $\pm 2\%$ über kurze Zeiträume

ACHTUNG: Die elektrische Installation muss (für Design, Erstellung und Wartung) den gesetzlichen und standardmäßigen Anforderungen des Landes entsprechen, in dem sie verwendet wird.

Überprüfen Sie, ob die elektrische Netzspannung, die auf dem Typenschild und das Etikett auf dem Netzkabel angezeigte Wert identisch sind.

- Die Stromversorgung der Maschine muss gegen Spannungsspitzen (Kurzschlüsse und Überspannungen) geschützt werden, indem Sicherungen oder Wärmerelais der entsprechenden Spurweite in Bezug auf den Aufstellungsort und die Maschinenspezifikationen verwendet werden.

ACHTUNG: Zum Schutz gegen indirekten Kontakt (abhängig von der Art der bereitgestellten Stromversorgung und dem Anschluss der freiliegenden leitfähigen Teile an den Potentialabstandsschutzkreis) siehe Nummer 6.3.3 der EN 60204-1 (IEC 60204-1) mit der Verwendung von Schutzeinrichtungen zur automatischen Abschaltung der Stromversorgung im Falle eines Isolationsfehlers mit einem TN oder TT, System oder für das IT-System mit Verwendung einer permanenten Isolierung oder Differentialsteuerung für die automatische Abschaltung. Für diesen Schutz müssen die Anforderungen der IEC 60364-4-41, 413.1 gelten.

ACHTUNG: Die Nichtbeachtung dieser Anweisungen bedeutet, dass der Kunde das Risiko eines Maschinenausfalls und/oder von Unfällen aufgrund direkter oder indirekter Kontakte eingeht.



AUFMERKSAMKEIT!

Schneiden und sperren Sie den Strom, bevor Sie den Stromanschluss herstellen.

Schließen Sie den Leistungsschalterstecker für jede Maschine an.

Betreiben Sie die Maschine nicht ohne Fehlerstromrelais und Erdung.

Überprüfen Sie das Gerät auf Drehpfeilrichtungen, die auf der Schüssel angezeigt werden.

Muss mit dem grünen und gelben Draht geerdet werden.

Überprüfen Sie, ob die elektrische Netzspannung, die auf dem Typenschild und das Etikett auf dem Netzkabel angezeigte Wert identisch sind.

	Versorgungsspannung	Elektrische Leistung Max.
IBT 22-33	380 V / 3P / 50 Hz	0,5 – 0,7 – 0,9 kW
IBT 22-VE	220 V / 1P / 50 Hz	1,5 kW
IBT 32-33	380 V / 3P / 50 Hz	0,5 – 0,7 – 0,9 Kw
IBT 32-VE	220 V / 1P / 50 Hz	1,5 Kw
IBT 42-33	380 V / 3P / 50 Hz	1,0 – 1,5 – 1,8 Kw
IBT 42-VE	220 V / 1P / 50 Hz	3,0 Kw
IBT 64-33	380 V / 3P / 50 Hz	1,0 – 1,5 – 1,8 Kw
IBT 64-VE	220 V / 1P / 50 Hz	3,0 Kw
IBT 80-VE	380 V / 3P / 50 Hz	4,0 Kw

6. Gebrauchen und Sicherheit

AUFMERKSAMKEIT!

Reinigen Sie die Maschine vor dem ersten Gebrauch ordnungsgemäß.

Ein unkontrolliertes Schließen des Deckels oder der Widderpresse birgt die Gefahr, dass die Finger zerquetscht werden.

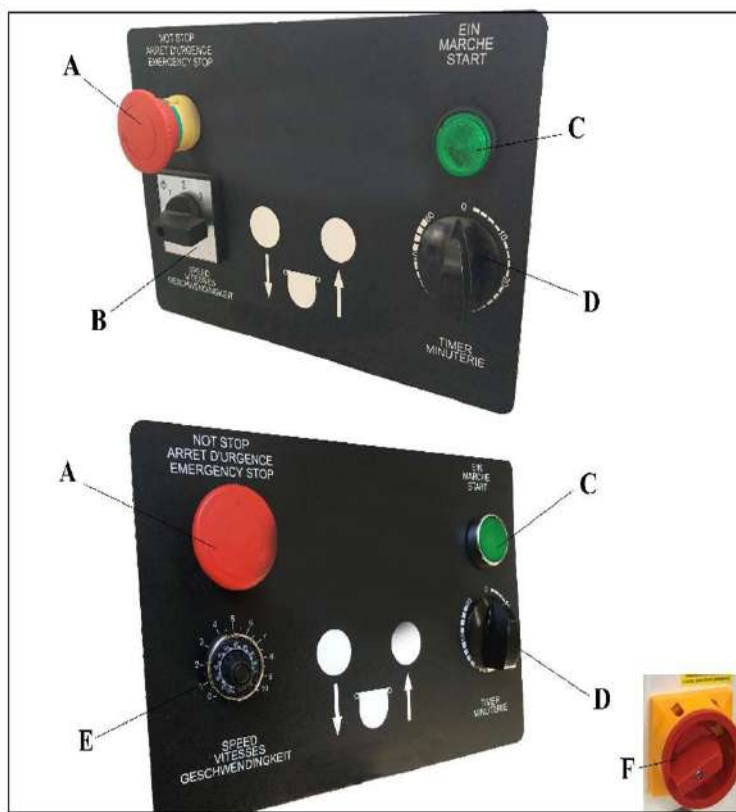
Legen Sie niemals eine Hand in den Arbeitsbereich, während die Maschine in Betrieb ist, Verletzungsgefahr. Es ist strengstens verboten, die Sicherheitssysteme außer Gefecht zu setzen oder zu modifizieren: Gefahr dauerhafter Verletzungen!!!!

Überprüfen Sie vor der Verwendung jedes Mal, ob die Sicherheitseinrichtungen korrekt funktionieren (siehe Abschnitt «Sicherheitssystemprüfungen»).

Legen Sie niemals eine Hand, einen harten oder gefrorenen Gegenstand in das Gerät.

Verwenden Sie aus Gesundheits- und Sicherheitsgründen immer eine starke waschbare oder Einweg-Kopfbedeckung, die das Haar vollständig bedeckt.

6.1 Betrieb – Sicherheit



- A: NOT-AUS-TASTE (Roter Pilzknopf)
- B – E: DREHZAHLSCHALTER
- C: STARTTASTE (grüne Taste)
- D: TIMER
- F: NETZSCHALTER

In diesem Teil wurden alle Informationen und Anweisungen zur Bedienung der Maschine gegeben. Der Bediener muss diese Anweisungen kennen, bevor er sie verwendet.

Die Sicherheit des Nutzers wird gewährleistet durch:

Der Motor stoppt, wenn die Schutzeinrichtung geöffnet wird.

Das Design des Schutzes, das es ermöglicht, Produkte während des Betriebs perfekt sicher hinzuzufügen.

Der Motor stoppt, wenn die Dockingstation abgesenkt wird. Es wird nicht wieder gestartet, wenn der Startschalter gedrückt wird.

Die Notwendigkeit, die START-Taste zu drücken, nachdem das Gerät gestoppt wurde.

Schutz vor Strom- und Leistungsstößen, Leistungseinbrüchen und Überhitzung des Motors.

Einhaltung der Anweisungen in diesem Handbuch für die Verwendung, Reinigung und Wartung der Maschine.

Sie müssen die Gerätegeschwindigkeiten für die Geschwindigkeitseinstellung von Tisch oder Auswahlaufkleber suchen.

Erstens müssen Schüssel und Protektor in der richtigen Position für den Start sein.

(Es gibt drei Schutzschalter für Schüssel, Schüsselposition und Sicherheitsabdeckung)

- a) Drehen Sie nach rechts die Taste F für Energie.
- b) Zeitzeitiger Betrieb
 - Drehen Sie die Taste D zur Einstellung der Zeit in die richtige Richtung.
 - Drehen Sie die Taste D für den Dauerbetrieb nach links.
- c) Drehen Sie die Taste B-E zur Einstellung der Geschwindigkeit in die richtige Richtung.
- d) Drücken Sie die Taste C, um den Betrieb zu starten.
- e) Wenn Sie die Maschine stoppen möchten, drücken Sie die Taste A.
 - Wenn der Bediener den Schüsselschutz öffnet oder wenn Sie die Schüssel in eine niedrigere Position bewegen, wird die Maschine gestoppt.
 - Der Bediener muss die Gerätegeschwindigkeiten für die Geschwindigkeitseinstellung vom Tisch aus betrachten.

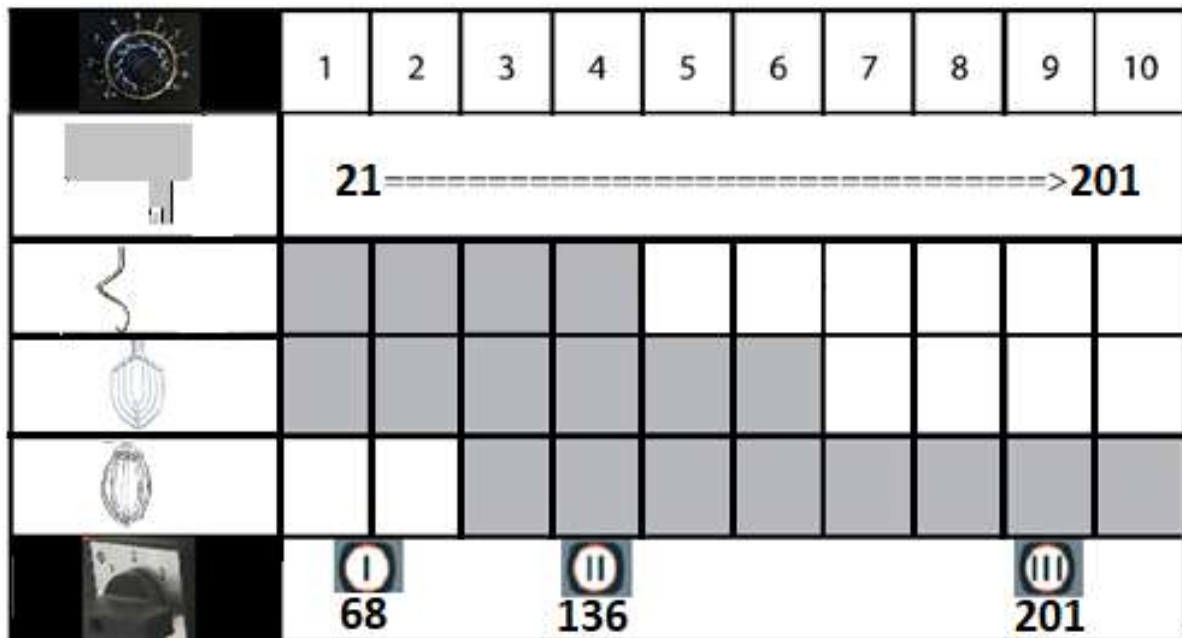
6.2 Montage der Schüssel und der Werkzeuge



- Halten Sie den Schüsselarm und bewegen Sie ihn nach unten.
- Legen Sie ein Werkzeug in die Schüssel.
- Schieben Sie das Werkzeug auf die Werkzeughalterspindel und drehen Sie es dann gegen den Uhrzeigersinn, um es in Position zu halten.
- Schrauben Sie den Apparatarms.
- Drücken Sie den Schüsselarm nach oben.
- Schließen Sie die Schutzvorrichtung.

6.3 Ändern von Geschwindigkeiten und Geschwindigkeitsauswahl

- Der elektronische Variator bietet eine äußerst flexible Bedienung für den Anwender und einen kontinuierlichen Drehzahlbereich, so dass alle Arten von Arbeiten unter optimalen Bedingungen für Ausbeute und Qualität durchgeführt werden können.
- Beginnen Sie immer mit langsamer Geschwindigkeit 1, um Spritzer oder Mehlwolken zu vermeiden, und erhöhen Sie dann allmählich die Geschwindigkeit je nach erforderlicher Arbeit.



6.4 Täglicher Betrieb

- Steuern Sie die Maschine, wenn sie sauber ist, wenn sie nicht richtig gereinigt wird.
- Schließen Sie den Leistungsschalter.
- Belastung entsprechend der Funktion der Arbeit und der Kapazität der Maschine.
- Setzen Sie die Staubmaske auf, während Sie Mehl in die Schüssel laden.
- Verhindern Sie beim Laden des Mehls die Zerstreung des Mehls, indem Sie wenig Abstand zwischen Mehlbeutel und Schüssel legen.
- Installieren Sie alle Protektoren an ihrem Platz und schließen Sie sie.

AUFMERKSAMKEIT!

Deaktivieren Sie nicht die protektoren, die für die Betriebssicherheit ausgelegt sind.
 Bewegen Sie die Maschine während des Betriebs nicht.
 Legen Sie während des Betriebs nichts auf die Maschine.
 Berühren Sie während des Betriebs keine beweglichen Teile der Maschine.
 Reinigen Sie die Maschine, wenn der Betrieb abgeschlossen ist.

6.5 Maximale Kapazitäten

- Die Arbeitsfähigkeit des Schlägers hängt ab von:
 - Das verwendete Werkzeug.
 - Art, Menge und Dichte der zu verarbeitenden Masse.
 - Die optimale Geschwindigkeit für qualitativ hochwertige Ergebnisse.
- Eine zu große Menge ist immer schädlich für die Qualität der Arbeit und die Lebensdauer der mechanischen Teile des Schlägers und kann zu einer Überhitzung des Motors und einem abrupten Stillstand führen

Empfohlene Höchstmengen:

Maximale Menge an Mehl	
IBT 22	2 kg Mehl mit mindestens 55% Wasser
IBT 32	6 kg Mehl mit mindestens 55% Wasser
IBT 42	9 kg Mehl mit mindestens 55% Wasser
IBT 64	30 kg Mehl mit mindestens 60% Wasser
IBT 80	

7. Reinigung und Hygiene

7.1 Zwischen zwei Sitzungen

- Entfernen Sie die Schüssel und das Werkzeug.
- Verwenden Sie heißes Wasser und Reinigungs- / Desinfektionsmittel oder Entfettungsmittel (wenn Sie mit fettigen Produkten arbeiten), tauchen Sie ein und waschen Sie die Innenseite der Schüssel und das Werkzeug in der Spüle, dann spülen Sie in sauberem Wasser und trocknen Sie.
- Reinigen Sie das Planetengetriebegehäuse, die Werkzeughalterspindel und den Schutzbügel mit einem feuchten Schwamm und einem Reinigungsmittel-Desinfektionsmittel und spülen Sie es dann in sauberem Wasser ab.

Hinweis: Verwenden Sie Reinigungsprodukte, die mit den Aluminium- und Edelstahlteilen kompatibel sind. Verwenden Sie kein hartes Material für die Reinigung der Maschine, da Sonst Ihre Maschine zerkratzt wird und ihre hygienischen Eigenschaften verliert.

7.2 Nach Gebrauch

- Trennen Sie die Maschine.
- Entfernen Sie die Schüssel und das Werkzeug.
- Reinigen Sie die Schüssel und die Werkzeuge mit Reinigungs- / Desinfektionsmittel oder Entfetter in einer Spüle, spülen Sie sie dann in sauberem Wasser ab und trocknen Sie sie. Nur die Schüssel darf in einer Spülmaschine gereinigt werden.
- Reinigen Sie das Planetengehäuse, den Werkzeughalterschaft, den Schutzbügel und die Wiege, achten Sie auf die Schüsselgriffe und gegebenenfalls die Außenseite des Schlägers mit einem feuchten Schwamm und einem Desinfektions- / Reinigungsmittel, und spülen Sie es dann aus.
- Überprüfen Sie, ob die verschiedenen Teile korrekt gereinigt wurden.
- Überprüfen Sie, ob die zur Reinigung verwendeten Produkte mit den Materialien der Maschinenteile kompatibel sind.
- Verwenden Sie keine abrasiven Reinigungsmittel, da diese die Oberflächen zerkratzen könnten.
- Um die Zubehörgeräte zu reinigen, überprüfen Sie die Bedienungsanleitung für jedes Zubehör.
- Regelmäßig: (mindestens einmal im Monat)
 - Entfernen Sie Staub aus den Lüftungsschlitzen auf der Rückseite des Maschine (Ursache der Überhitzung).
 - Wischen und schmieren Sie die Hebe- und Senkstifte leicht mit Vaseline.
 - Ölen Sie die Werkzeughalterwelle (Öl oder Fett in Lebensmittelqualität).

STREUNENDE MEHLPARTIKEL

Um die Emission von streunenden Mehlpartikeln beim Beladen der Schüssel zu reduzieren, wird es wie folgt empfohlen.

- Leeren Sie den Mehlbeutel oder den Behälter mit dem Mehl, ohne es zu schütteln.
- Gießen Sie das Wasser ein, bevor Sie das Mehl hineinlegen, wenn dies möglich ist.
- Beginnen Sie während des Wasser-Mehl-Mischens immer mit langsamer Geschwindigkeit.
- Schütteln Sie keinen leeren Mehlbeutel. Rollen Sie es mit Sorgfalt.

Die Einhaltung dieser einfachen Regeln wird dazu beitragen, die Emission von Mehlstaub zu verringern und folglich das Mit diesem Staub verbundene Allergierisiko zu verringern.

8. Fehlersuche

PANNE	GRUND	LÖSUNG
Maschine funktioniert nicht.	Energie kommt nicht in die Maschine.	Überprüfen Sie die Versorgungsspannung.
	Versorgungssicherung durchgebrannt.	Überprüfen Sie die Sicherung.
	Motorwärme geblasen.	Warten Sie thermisch abgekühlt und schalten Sie ein
	Der Leistungsschalter ist geöffnet.	Schließen Sie den Leistungsschalter.
Motorarbeitsgeräusche kommen, aber es ist nicht geeignet	Eine der Fütterungsphasen fehlt.	Überprüfen Sie phaseweise.
	Antriebsriemen fehlen oder sind locker	Überprüfen Sie die Gurtspannung.
	Es gibt eine Überlastung im mechanischen Uhrwerk	Energie ausschalten! und überprüfen Sie manuell Schneebesens-Knethaken-Schläger. Informieren Sie den technischen Dienst, wenn es zu Staus kommt.
Die Maschine erhält Energie, wenn die Maschine nicht aktiviert ist.	Motorwärme wird geblasen	Warten Sie auf die thermische Kühlung und schalten Sie sie ein.
	Sicherheitsschalter sind nicht aktiv.	Stellen Sie sicher, dass die Schüssel oben und schützend geschlossen ist.
	Schalter mechanische Einstellung beschädigt oder kaputt.	Kontakt mit dem technischen Service.
	Defektes Teil im Steuerkreis (Schütz-Thermo-Button-etc ..)	Kontakt mit dem technischen Service.

9. Instandhaltung

In diesem Abschnitt werden die regelmäßig durchzuführenden Wartungsarbeiten beschrieben. Wenn diese Wartungen werden durchgeführt:

- Die Maschine führt das Mischen effizient durch.
- Lebensmittel, die von der Maschine zubereitet werden, werden für die menschliche Gesundheit geeignet.
- Die Maschine wird langlebig sein.
- Minimaler Zeitabfall durch Fehlfunktion
- Verhindert kleine Fehlfunktionen, bevor sie schwerwiegend sind.

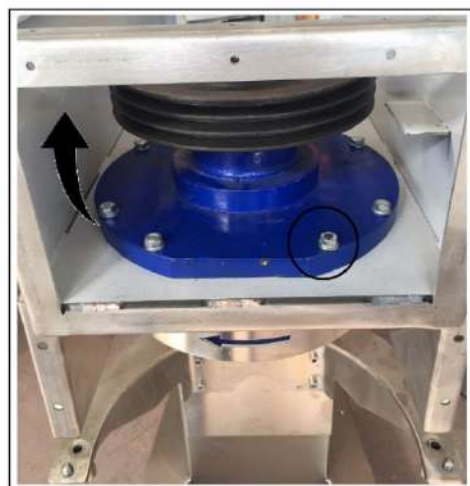
9.1 Mechanische Teile

Dieser Schläger erfordert nur minimale Wartung (die Lager, B. Motor und mechanische Teile sind lebenslang gefettet).

Mindestens einmal im Jahr wird empfohlen:

- Räumen Sie bei Bedarf die Lüftungsschlitze, sie können zu Überhitzung führen.

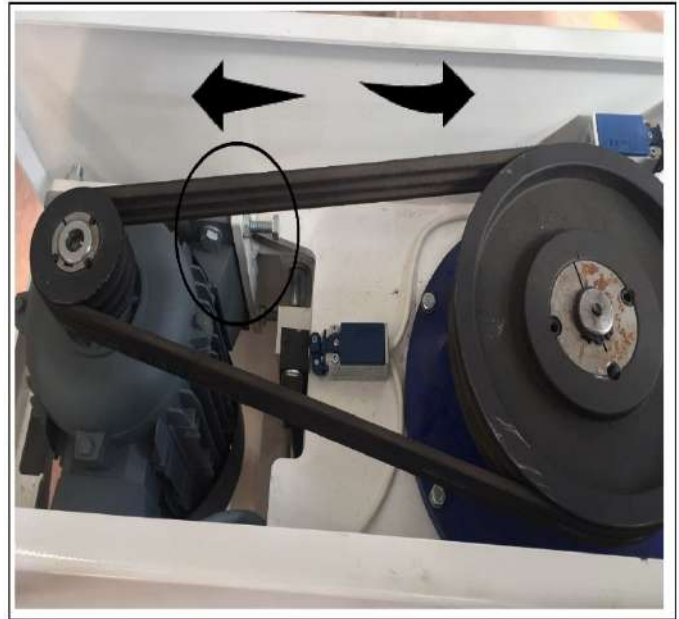
Schmieren Sie die Planetengetriebe mit einem hohen Klebefett. Reinigen Sie den Bandstaub und das Mehl aus dem Inneren der Maschine mit einem Staubsauger.



9.2 Gürtel prüfen oder wechseln

Überprüfen Sie die Riemenspannung und den Verschleißgrad. Um es zu überprüfen, fahren Sie fort folgendermaßen:

- Trennen Sie das Gerät.
- Entfernen Sie das obere Gehäuse, um auf die Übertragung zuzugreifen.
- Wenn der Riemen defekt ist:
- Lösen Sie die 4 Motorschrauben (Größe 19 mm Schraubenschlüssel).
- Passen Sie bei Bedarf einen neuen Gürtel an und überprüfen Sie, ob die Zähne richtig sind.
- In den Riemenscheibenrillen eingerast.
- Schrauben Sie die 2 Spannbolzen. (Größe 17mm Schraubenschlüssel)
- Überprüfen Sie, ob die Spannung korrekt ist, indem Sie mit Daumen und Zeigefinger drücken.



Hinweis: Es ist wichtig, sicherzustellen, dass der Riemen richtig gespannt ist. Bei unzureichender oder übermäßiger Spannung kann dies zu einer funktionsungefährlichen Funktion des Getriebes oder sogar zu einem vorzeitigen Verschleiß des Riemens oder der Lager führen.

Verwendungsfehler verkürzen die Lebensdauer des Geräts, indem sie das Produkt beschädigen.

Der Motor kann bei Brown out oder Überlastung gestoppt werden. In einer solchen Situation drücken Sie den Stopknopf und entladen das Material, bevor Sie es starten, warten Sie bitte die Abkühlung des Motors.

Bitte schließen Sie die Schutzkappe vorsichtig, um sie nicht zu beschädigen.

Die Lebensdauer des Produkts beträgt 10 Jahre, unter der Bedingung der empfohlenen Gebrauchsanweisung.

9.3 Demontage der Planetenbaugruppe

Entfernen Sie das Gehäuse, nachdem Sie das zuerst getrennt haben die Maschine.

Entfernen Sie den Gürtel.

Lösen Sie die 8 Schrauben an der Planetenbaugruppe.

Entfernen Sie die Planetenbaugruppe.

9.4 Überprüfung der Sicherheitselemente

Die Sicherheitselemente müssen regelmäßig überprüft werden, um dies zu gewährleisten dass sie korrekt funktionieren. Der Motor sollte anhalten, wenn die Schutteinrichtung geöffnet wird. Wenn eine dieser beiden Funktionen nicht implementiert ist:

- Verwenden Sie das Gerät nicht.
- Lassen Sie es von der Serviceabteilung Ihres Händlers vor Ort anpassen.

ADRESSE FÜR SERVICEANFORDERUNGEN

Wir empfehlen Ihnen, sich zuerst an den Händler zu wenden, der Ihnen die Maschine verkauft hat.

Für Informationen oder Bestellungen von Ersatzteilen geben Sie bitte den Maschinentyp, seine Seriennummer und die elektrische Leistungsbeschreibung.

Der Hersteller behält sich das Recht vor, Änderungen vorzunehmen und Verbesserungen vorzunehmen zu den Produkten ohne vorherige Ankündigung.

Dealer's stamp	
Date of purchase:	

9.5 Elektrische Komponenten

- Überprüfen Sie den Zustand des Stromkabels und des elektrischen Komponenten regelmäßig.
- **Drahtfarben-Identifizierung:**
 - Erde: (B/C) gelb/grün
 - Neutral: (N) blau
 - Phase: (L) braun
 - Stromkreis: schwarz
 - Steuerkreis: rot

10. Einhaltung von Vorschriften

Die Maschine wurde in Übereinstimmung mit folgenden Bedingungen entwickelt und hergestellt:

2014/30/EU

2014/35/EU

2006/42/EG

EN ISO 12100: 2010

EN ISO 13854:2019

EN ISO 13857: 2019

EN 60204-1:2018

EN ISO 14120:2015

EN 1672-2:2020

EN 454:2014

VERORDNUNG (EG) Nr. 1935/2004

- **Europäische Normen:**

EN 454 Schlägermischer. Sicherheits- und Hygienevorschriften.

Diese Konformität wird zertifiziert durch:

- Das CE-Konformitätszeichen, das an der Maschine angebracht ist.
- die relative CE-Konformitätserklärung im Zusammenhang mit der Garantie,
- Diese Bedienungsanleitung, die dem Bediener übergeben werden muss.

Schutzindizes nach der Norm EN 60529-2000:

- IP54 elektrische Steuerungen.
- IP32 Gesamtmaschine.

Integrale Sicherheit:

- Die Maschine wurde in Übereinstimmung mit der mit den einschlägigen Vorschriften und Normen, auf die verwiesen wird über.
- Vor der Verwendung der Maschine muss der Bediener in seiner auf mögliche Restrisiken hingewiesen werden.

Lebensmittelhygiene:

Die Maschine besteht aus Materialien, die den folgenden Vorschriften und Normen entsprechen:

- Norm EN 60204-1: Aluminiumgusslegierungsobjekte in Kontakt mit Lebensmitteln.

Die Oberflächen des Lebensmittelbereichs sind glatt und leicht zu reinigen. Verwenden Sie Reinigungsmittel, die für die Lebensmittelhygiene zugelassen sind, und beachten Sie die Gebrauchsanweisung.

11. Vorsicht

Bei Gefahr für den Benutzer oder die Maschine müssen Sie die STOP-Taste verwenden.

Entfernen Sie vor jeder Operation an der Maschine den Stecker aus der Steckdose oder schalten Sie den Schalter am Anschlusspunkt aus. Es können bestimmte Risiken bestehen:

- Die Klingen sind sehr scharf und können zu schweren Schnitten führen, auch wenn die Maschine im Leerlauf ist.
- Der Austausch der Klingen darf nur von einem zugelassenen Agenten durchgeführt werden.
- Alle Klingen müssen vorhanden sein, um zu vermeiden, dass sich die Finger beim Entfernen von Brot im Mechanismus verfangen.
- Nach ein paar Tagen Betrieb, holen Sie sich einen qualifizierten Fachmann, um die Spannung der Klingen durch einen qualifizierten Person.
- Erdung ist unerlässlich.

1. Avertissement

Lisez ce manuel d'instructions avant d'allumer la machine. Conservez ce manuel d'instructions avec l'appareil pour une consultation ultérieure.

Ces avertissements ont été rédigés pour votre sécurité et pour celle des autres. Veuillez les lire attentivement avant d'installer ou d'utiliser l'appareil.

L'appareil est destiné à un usage professionnel et doit être utilisé par du personnel qualifié et formé pour l'utiliser.

Toute modification qui peut être nécessaire sur le système électrique pour permettre l'installation de l'appareil doit être effectuée uniquement par du personnel compétent.

Il est dangereux de modifier ou de tenter de modifier les caractéristiques de cet appareil. Démarrage. Cet appareil doit être mis à la terre pour votre protection afin d'éviter le risque de décharges électriques. Il doit être connecté directement à la borne de terre de l'armoire de commande. Le câble de terre ne doit pas être coupé ou déconnecté de la machine.

L'introduction d'un objet ou d'un corps étranger autre que celui nécessaire à la fabrication de la pâte est totalement interdite.

Avant de faire des travaux d'entretien ou de nettoyage, débranchez l'appareil du secteur électrique et laissez-le refroidir.

Le niveau de pression acoustique émis par la machine est inférieur à 70 dB.

NOTE: Le fabricant ne sera pas tenu responsable de ce qui suit :

- Installation incorrecte de la machine
- Utilisation de pièces de rechange non d'origine
- Problèmes d'alimentation électrique
- Modifications non autorisées
- Manque d'entretien quotidien
- Utilisation incorrecte et/ou incorrecte de la machine
- Utilisation non conforme selon la réglementation en vigueur dans le pays où la machine sera installée.

2. Sécurité

2.1 Règlements de sécurité

Il est interdit d'altérer les protecteurs de sécurité et autres dispositifs de sécurité de la machine. Si l'un des dispositifs de sécurité de la machine est endommagé, il doit être immédiatement réparé et remonté de la même manière.

Le protecteur de sécurité ou les dispositifs de sécurité ne doivent pas être retirés de la machine, sauf pour le nettoyage ou l'entretien. Le protecteur de sécurité et les dispositifs de sécurité doivent être remplacés dans leur position d'origine dès que les raisons de leur retrait ont été traitées.

Avant de commencer le nettoyage ou l'entretien de la machine, assurez-vous que l'alimentation a été déconnectée et que la fiche a été retirée.

En cas d'entretien de la machine, le nettoyage ou les réparations garantissent que les précautions nécessaires sont prises pour éviter que toute autre personne démarre la machine ou l'une de ses pièces. Informer et conseiller tous les travailleurs sur les risques sur le lieu de travail.

Respect de la législation en vigueur concernant les règles de sécurité sur le lieu de travail.

2.2 Conseils de sécurité

Lisez attentivement les instructions suivantes avant d'utiliser la solution matérielle-logicielle pour la première fois.

Cet appareil n'est pas destiné à être utilisé par des personnes (y compris des enfants) ayant des capacités physiques, sensorielles ou mentales réduites ou un manque d'expérience et de connaissances, à moins qu'elles n'aient été supervisées ou informées de l'utilisation de l'appareil par une personne responsable de leur sécurité. Les enfants doivent être surveillés pour s'assurer qu'ils ne jouent pas avec l'appareil.

L'appareil ne peut être connecté qu'à une alimentation dont la tension et la fréquence sont conformes aux spécifications de la plaque signalétique !

N'utilisez jamais ou ne prenez jamais l'appareil si;

- Le cordon d'alimentation est endommagé,
- Le boîtier est endommagé.

Si l'appareil ou le cordon d'alimentation est endommagé, il doit être remplacé par le fabricant, son agent de service ou une personne qualifiée de la même manière, afin d'éviter tout danger.

Débranchez toujours l'appareil de l'alimentation s'il est laissé sans surveillance et avant l'assemblage, le démontage ou le nettoyage.

Ne relâchez jamais les accessoires pendant que l'appareil est en marche. Évitez tout contact avec des pièces mobiles. Le contact pourrait entraîner des blessures!

Ne plongez pas l'appareil dans de l'eau ou tout autre liquide.

N'utilisez pas l'appareil pour remuer de la peinture.

Cet appareil est destiné à un usage en cuisine uniquement. Le fabricant décline toute responsabilité pour d'éventuels dommages causés par une utilisation incorrecte ou incorrecte.

N'allumez jamais l'appareil tant que les accessoires de travail ne sont pas dans le bol de mélange avec les ingrédients à traiter.

Attendez toujours que les pièces jointes s'arrêtent avant de retirer le bol.

ATTENTION!

Stockage de la machine : -25°C à +50°C

Température ambiante pendant le fonctionnement : +4°C à +40°C.

Cette machine est destinée à un usage professionnel et doit être utilisée par du personnel formé pour l'utiliser, la nettoyer et l'entretenir, en termes de fiabilité et de sécurité.

Utiliser la machine dans des locaux suffisamment éclairés (voir la norme technique applicable pour le pays d'utilisation. En Europe, voir la norme EN 12464-1)

Lors de la manipulation de la machine, vérifiez toujours que les pièces saisies ne sont pas des éléments mobiles: risque de chute et de blessure aux membres inférieurs.

La machine n'est pas conçue pour être utilisée dans des atmosphères explosives.

2.3 Protecteurs de sécurité

Les parties les plus dangereuses de la machine sont les outils qui travaillent le mélange dans la partie interne du bol. L'accès au bol lorsque les outils sont en mouvement est empêché par un protecteur mobile équipé d'un micro-interrupteur de sécurité; lors du levage pour l'ouvrir, l'interrupteur de sécurité qui arrête l'outil est activé, lors de sa fermeture, l'outil ne recommence pas à bouger.

Deux autres interrupteurs de sécurité garantissent que l'outil ne peut pas fonctionner si le bol n'est pas correctement monté dans la position de travail de la machine, au point le plus élevé.

3. Caractéristiques générales

3.1 Description de la machine

Le mélangeur, la machine à pétrir, le batteur d'œufs est excellent pour la petite et la grande production dans les industries de la confiserie, de l'alimentation, de la chimie et des cosmétiques.

La machine est équipée d'un variateur de vitesse, qui permet de sélectionner la vitesse de l'outil au moyen d'un régulateur spécial sur le panneau de commande. La variation de vitesse est progressive et continue afin que la vitesse appropriée puisse être sélectionnée pour chaque mélange et pour chaque étape de la production sans changements de vitesse soudains ni arrêts de la machine.

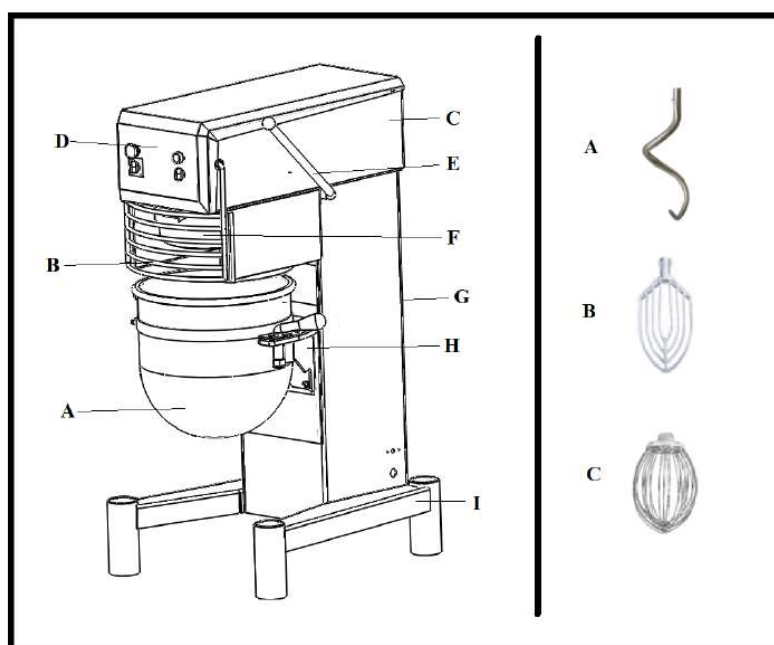
Dans les modèles IBT 22/32/42/64/80, le bol peut être déplacé verticalement au moyen d'un levier positionné sur le côté droit de la machine.

Dans les modèles IBT 100/140, le bol se déplace verticalement en faisant fonctionner un sélecteur sur le panneau de commande. La protection de sécurité peut être retirée pour le nettoyage.

Pour des exigences particulières, le mélangeur de 40 Lt peut être équipé d'un deuxième bol de 30 Lt et/ou de 20 Lt et d'outils relatifs et le mélangeur de 60 Lt peut être équipé d'un deuxième bol de 40 Lt et/ou de 30 Lt avec des outils relatifs.

Cette solution permet à l'utilisateur de travailler avec différents bols en utilisant une seule machine.

La machine est fabriquée selon les normes CE en vigueur.



- A Un bol en acier inoxydable
- B Safety garde
- C Tête
- D Panneau de commande
- E Levier de levage/abaissement
- F Système d'engrenage planétaire
- G Colonne
- H Bowl
- I Pieds

Accessoires standard

- A Un crochet pour le pétrissage.
- B Paddle pour le mélange.
- C Fouet pour émulsion

3.2 Utilisation de la machine

3.2.1 Utilisation correcte

La machine doit être utilisée par du personnel spécialisé dans la production de pâtisserie. En fonction de l'outil et de la vitesse de rotation choisis; différents mélanges peuvent être fabriqués avec la machine.

L'utilisation de l'outil est indiquée dans le tableau ci-dessous;

OUTIL	VITESSE			UTILISER	EXEMPLES IBT 22
	IBT 22				
Fouet métallique	4 à 10	4 à 10	30 à 80	Fouet métallique	4 à 10
Pagaie	1 à 8	1 à 8	20 à 80	Pagaie	1 à 8
Outil de pétrissage	1 à 3	1 à 3	10 à 40	Outil de pétrissage	1 à 3

La machine a été conçue pour mélanger une variété de produits de différentes consistances, il n'est donc pas toujours possible d'utiliser toute la capacité du bol.

Nous recommandons de peser la bonne quantité de produit à mélanger, en tenant compte de la consistance du produit final.

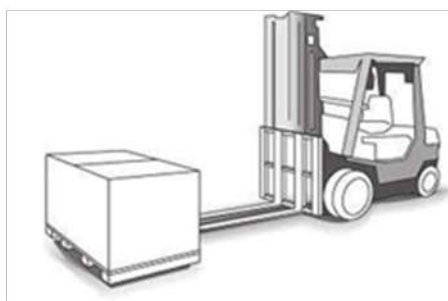
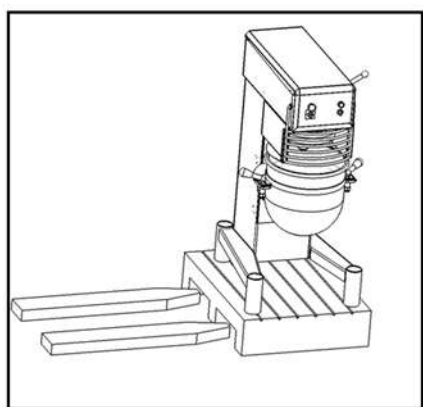
3.2.2 Utilisation incorrecte

La machine a été conçue et fabriquée pour les utilisations et les types de produits décrits au paragraphe précédent. Toute autre utilisation peut endommager la machine et peut causer des situations dangereuses pour le travailleur dont le fabricant ne sera pas tenu responsable.

La machine ne doit pas être utilisée dans des environnements ATEX.

4. Instruction de préassemblage

4.1 Stockage et transport



- Votre machine vous a été livrée d'une manière qui est emballée sur une palette. Le transport de la machine doit être effectué comme indiqué dans l'image ci-dessus, un autre moyen de transport peut causer des dommages sur votre machine.
- Pendant le transport des marchandises, elles ne doivent pas être laissées suspendues (suspendues dans les airs) et le transport doit être effectué avec un équipement approprié.
- Les dimensions et les poids des machines sont indiqués dans la section Spécifications techniques.
- Les ébauches, les trous, les bras et les pièces situés sur les machines ne doivent pas être utilisés pour le transport. La voie de transport, à l'exception du schéma, peut endommager la machine.
- Pour éviter tout accident de travail lors du transport de la machine, respectez strictement les règles de santé et de sécurité au travail. Ne le déplacez pas sans prendre les précautions de sécurité nécessaires.
- Le personnel responsable dans le transport doit utiliser de l'équipement de sécurité tel qu'un casque de sécurité, des gants, des chaussures à orteils en acier.
- En tenant compte du poids de la machine, un équipement approprié doit être utilisé pour le transport. Avant de se déplacer, le poids de la machine, les dimensions extérieures, les points de levage et le centre de gravité doivent être soigneusement vérifiés.
- Avant de déplacer une machine, les dimensions de la porte ou de la cloison doivent être vérifiées si elles sont appropriées.
- Les opérations telles que l'accélération et le freinage lors du levage et de la manipulation de la machine ne doivent pas être effectuées d'une manière préjudiciable aux employés.
- La machine ne doit pas être soulevée et déplacée, à l'exception du schéma ci-dessus.
- Vérifiez l'emballage et le produit s'il est endommagé pendant l'expédition. S'il y a eu des dommages pendant le transport, signalez-le à la compagnie maritime, à la compagnie d'assurance et à Salva.
- Certes, prenez des photos sous différents angles de la machine endommagée. Il est nécessaire que l'autorité définisse le problème.
- Sortez en vérifiant la machine emballée et s'il y a de l'équipement connexe. Vérifiez le certificat d'expédition si les matériaux sont envoyés pleins. Veuillez informer Salva pour tout matériel manquant.
- L'emballage doit être ouvert par du personnel autorisé qui connaît le produit.
- Ne mettez jamais la charge sur la machine.

4.2 Conditions d'utilisation

Pour les équipements autoportants, la résistance du sol doit résister à 250 kg. De même, pour les opérations de maintenance, un espace de 350 mm doit être laissé derrière le mélangeur.

La machine a été conçue pour être installée dans des zones fermées avec une température qui varie de +10 à +40 degrés Celsius. Il n'a pas été conçu pour être installé à l'extérieur.

Après avoir positionné la machine à l'endroit choisi, qui doit être aussi plat que possible, réglez les stabilisateurs à l'intérieur du cylindrique avant jusqu'à ce qu'ils rencontrent le sol.

5. Connexion électrique

ATTENTION!

Le raccordement à l'alimentation électrique doit être effectué conformément aux bonnes pratiques professionnelles par une personne qualifiée et autorisée (voir les normes et la législation en vigueur dans le pays d'installation). Si un adaptateur est utilisé sur la prise, il faut vérifier que les caractéristiques électriques de cet adaptateur ne sont pas inférieures que ceux de la machine. N'utilisez pas plusieurs prises.

L'alimentation CA de la machine doit respecter les conditions suivantes :

- Variation de tension maximale : $\pm 5\%$
- Variation de fréquence maximale: $\pm 1\%$ sur une base continue, $\pm 2\%$ sur de courtes périodes

ATTENTION: l'installation électrique doit être conforme (pour la conception, la création et la maintenance) aux exigences légales et standard du pays où il est utilisé.

Vérifiez que la tension du secteur électrique, la valeur indiquée sur la plaque de spécification et l'étiquette sur le câble d'alimentation sont les mêmes.

- L'alimentation électrique de la machine doit être protégée contre les surtensions (courts-circuits et surtensions) à l'aide de fusibles ou de relais thermiques de la jauge appropriée par rapport au lieu d'installation et aux spécifications de la machine.

ATTENTION: En ce qui concerne la protection contre le contact indirect (en fonction du type d'alimentation fournie et de la connexion des parties conductrices exposées au circuit de protection équinentielle), se référer au point 6.3.3 de la norme EN 60204-1 (IEC 60204-1) avec l'utilisation de dispositifs de protection pour l'arrêt automatique de l'alimentation en cas de défaut d'isolation avec un TN ou un TT, , ou pour le système informatique, avec l'utilisation d'un contrôleur d'isolation permanent ou de différentiels pour l'arrêt automatique. Les exigences de la CEI 60364-4-41, 413.1 doivent s'appliquer à cette protection.

ATTENTION: Le non-respect de ces instructions signifie que le client court le risque de défaillance de la machine et / ou d'accidents dus à des contacts directs ou indirects.



ATTENTION!

Coupez et verrouillez l'électricité avant d'effectuer le raccordement électrique.

Connectez la fiche du disjoncteur pour chaque machine.

Ne faites pas fonctionner la machine sans relais de courant résiduel et mise à la terre.

Vérifiez l'appareil pour tourner les directions des flèches qui s'affichent sur le bol.

Vérifiez que la tension du secteur électrique, la valeur indiquée sur la plaque de spécification et l'étiquette sur le câble d'alimentation sont les mêmes.

	Tension d'alimentation	Puissance électrique Max.
IBT 22-33	380 V / 3P / 50 Hz	0,5 – 0,7 – 0,9 kW
IBT 22-VE	220 V / 1P / 50 Hz	1,5 kW
IBT 32-33	380 V / 3P / 50 Hz	0,5 – 0,7 – 0,9 Kw
IBT 32-VE	220 V / 1P / 50 Hz	1,5 Kw
IBT 42-33	380 V / 3P / 50 Hz	1,0 – 1,5 – 1,8 Kw
IBT 42-VE	220 V / 1P / 50 Hz	3,0 Kw
IBT 64-33	380 V / 3P / 50 Hz	1,0 – 1,5 – 1,8 Kw
IBT 64-VE	220 V / 1P / 50 Hz	3,0 Kw
IBT 80-VE	380 V / 3P / 50 Hz	4,0 Kw

6. Utiliser et Sécurité

ATTENTION!

Nettoyez correctement la machine avant sa première utilisation.

La fermeture incontrôlée du couvercle ou de la presse à béliers comporte un risque d'écrasement des doigts.

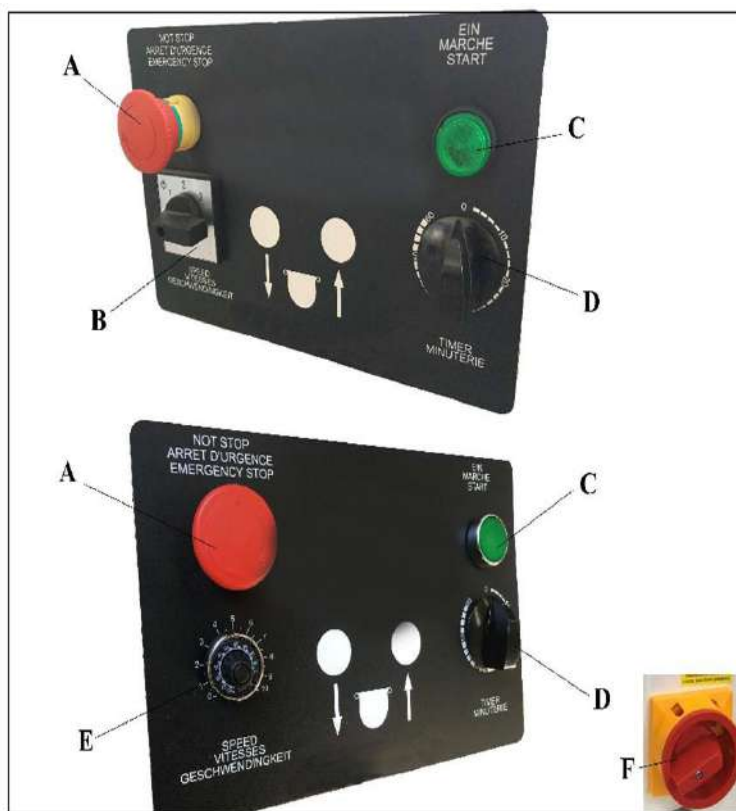
Ne jamais mettre la main dans la zone de travail pendant que la machine est en fonctionnement, risque de blessure. Il est strictement interdit de mettre les systèmes de sécurité hors d'action ou de les modifier : Risque de blessure permanente!!!!

Vérifiez que les dispositifs de sécurité fonctionnent correctement à chaque fois avant de les utiliser (voir la section « Contrôles du système de sécurité »).

Ne mettez jamais une main, un objet dur ou gelé dans l'appareil.

Pour des raisons de santé et de sécurité, utilisez toujours un couvre-chef lavable ou jetable solide qui couvre complètement les cheveux.

6.1 Fonctionnement – Sécurité



A: BOUTON D'ARRÊT D'URGENCE
B – E : INTERRUPTEUR DE VITESSE
C: BOUTON DÉMARRER
D: MINUTERIE
F: INTERRUPTEUR D'ALIMENTATION

Dans cette partie, toutes les informations et instructions ont été données pour faire fonctionner la machine. L'opérateur doit connaître ces instructions avant de l'utiliser.

La sécurité de l'utilisateur est garantie par :

Le moteur s'arrête lorsque le protecteur de sécurité est ouvert.

La conception de la protection qui permet d'ajouter des produits en toute sécurité pendant le fonctionnement.

Le moteur s'arrête lorsque le berceau est abaissé. Il ne redémarre pas lorsque vous appuyez sur le commutateur START.

La nécessité d'appuyer sur le bouton START après l'arrêt de la machine.

Protection contre les surtensions et les surtensions, les chutes de puissance et la surchauffe du moteur.

Respect des instructions données dans ce manuel pour l'utilisation, le nettoyage et l'entretien de la machine.

Vous devez regarder les vitesses de l'appareil pour le réglage de la vitesse à partir de la table ou de l'autocollant de sélection.

Tout d'abord, le bol et le protecteur doivent être en bonne position pour commencer.

(Il y a trois interrupteurs de protection pour le bol, la position du bol et le couvercle de sécurité)

- a) Tournez vers la droite le bouton F pour l'énergie.
- b) Fonctionnement chronométré
 - Tournez dans la bonne direction le bouton D pour régler l'heure.
 - Tournez vers la gauche le bouton D pour un fonctionnement continu.
- c) Tournez dans la bonne direction le bouton B-E pour régler la vitesse.
- d) Appuyez sur le bouton C pour commencer à fonctionner.
- e) Si vous souhaitez arrêter la machine, appuyez sur le bouton A.
 - Lorsque l'opérateur ouvre le protecteur de bol ou si vous déplacez le bol en position inférieure, la machine sera arrêtée. l'opérateur doit appuyer sur le bouton C pour recommencer à fonctionner.
 - L'opérateur doit rechercher les vitesses de l'appareil pour le réglage de la vitesse à partir de la table.

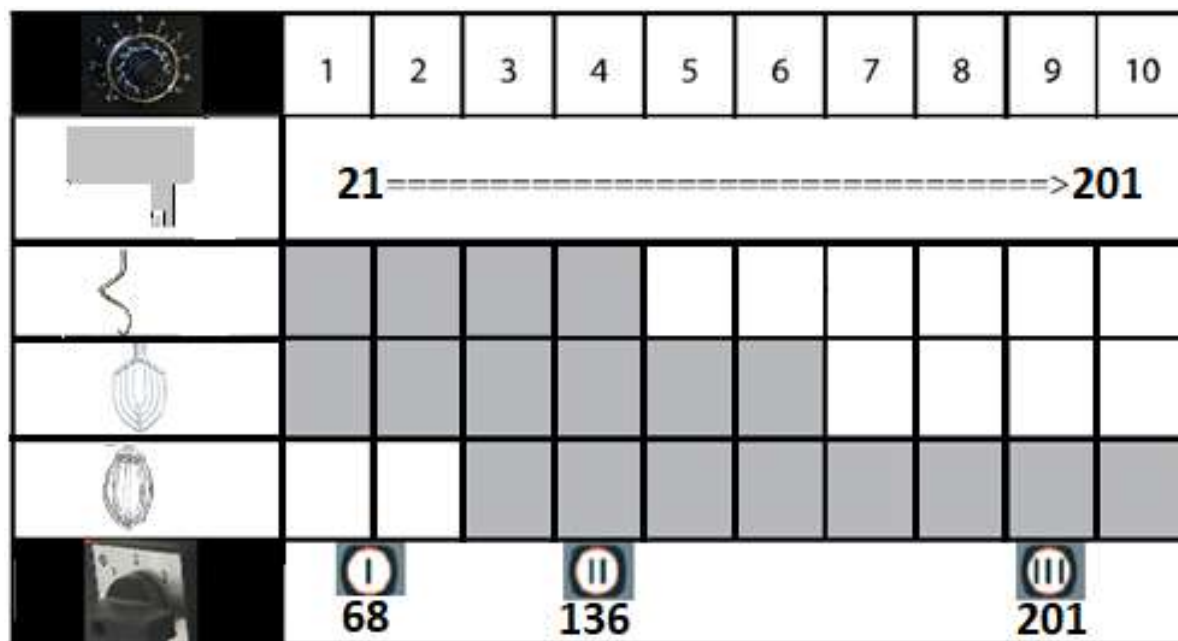
6.2 Ajustement du bol et des outils



- Tenez le bras du bol et déplacez-le vers le bas.
- Placez un outil à l'intérieur du bol.
- Poussez l'outil sur la broche du porte-outil, puis tournez-le dans le sens inverse des aiguilles d'une montre pour le verrouiller en position.
- Vissez le bras de l'appareil.
- Poussez le bras du bol.
- Fermez le protecteur de sécurité.

6.3 Modification des vitesses et sélection de la vitesse

- Le variateur électronique offre un fonctionnement extrêmement flexible pour l'utilisateur et une plage continue de vitesses, de sorte que toutes sortes de travaux peuvent être effectués dans des conditions optimales de rendement et de qualité.
- Toujours démarrer à vitesse lente 1 pour éviter les éclaboussures ou les nuages de farine puis augmenter progressivement la vitesse en fonction du travail requis.



6.4 Fonctionnement quotidien

- Contrôlez la machine si elle est propre, sinon nettoyez-la correctement.
- Fermez le disjoncteur.
- Chargez en fonction de la fonction du travail et de la capacité de la machine.
- Mettez le masque anti-poussière pendant le chargement de la farine dans le bol.
- Lors du chargement de la farine, évitez la dispersion de la farine en mettant peu de distance entre le sac de farine et le bol.
- Installez tous les protecteurs à sa place et fermez-le.

ATTENTION!

Ne désactivez pas les protecteurs conçus pour la sécurité de fonctionnement.
Ne déplacez pas la machine pendant le fonctionnement.
Ne mettez rien sur la machine pendant le fonctionnement.
Ne touchez pas les parties mobiles de la machine pendant le fonctionnement.
Nettoyez la machine lorsque l'opération est terminée.

6.5 Capacités maximales

- La capacité de travail du batteur dépend de :
 - L'outil utilisé.
 - La nature, la quantité et la densité de la masse à travailler.
 - La vitesse optimale pour des résultats de qualité.
- Une trop grande quantité est toujours préjudiciable à la qualité du travail et à la durée de vie des pièces mécaniques du batteur et peut entraîner une surchauffe du moteur et un arrêt brusque.

Quantités maximales recommandées:

Quantité maximale de type de farine	
IBT 22	2 kg de farine avec au moins 55% d'eau
IBT 32	6 kg de farine avec au moins 55% d'eau
IBT 42	9 kg de farine avec au moins 55% d'eau
IBT 64	30 kg de farine avec au moins 60% d'eau
IBT 80	

7. Nettoyage et hygiène

7.1 Entre deux sessions

- Retirez le bol et l'outil.
- À l'aide d'eau chaude et de détergent/désinfectant ou dégraissant (si vous travaillez avec des produits gras), immergez et lavez l'intérieur du bol et de l'outil dans l'évier, puis rincez à l'eau propre et séchez.
- -Nettoyez le boîtier de l'engrenage planétaire, la broche du porte-outil et le protecteur de sécurité avec une éponge humide et un produit désinfectant détergent, puis rincez à l'eau propre.

Remarque: Utilisez des produits de nettoyage compatibles avec les pièces en aluminium et en acier inoxydable. N'utilisez pas de matériau dur pour nettoyer la machine, sinon votre machine sera rayée et perdra ses caractéristiques hygiéniques.

7.2 Après utilisation

- Déconnectez la machine.
- Retirez le bol et l'outil.
- Nettoyez le bol et les outils avec du détergent/désinfectant ou un dégraissant dans un évier, puis rincez à l'eau propre et séchez. Seul le bol peut être nettoyé au lave-vaisselle.
- Nettoyez le boîtier planétaire, l'arbre du porte-outil, le protecteur de sécurité et le berceau, en faisant attention aux poignées du bol et, si nécessaire, à l'extérieur du batteur à l'aide d'une éponge humide et d'un produit désinfectant / détergent, puis rincez.
- Vérifiez que les différentes pièces ont été nettoyées correctement.
- Vérifier que les produits utilisés pour le nettoyage sont compatibles avec les matériaux de la pièce de la machine
- N'utilisez pas de détergents abrasifs car ceux-ci pourraient rayer les surfaces.
- Pour nettoyer les appareils accessoires, vérifiez avec la fiche d'instructions pour chaque accessoire.
- Sur une base régulière: (au moins une fois par mois)
 - Enlever la poussière des fentes de ventilation à l'arrière du
 - machine (cause de surchauffe).
 - Essuyez et lubrifiez légèrement les broches de levage et d'abaissement avec de la vaseline.
 - Huiler l'arbre du porte-outil (huile ou graisse de qualité alimentaire).

PARTICULES DE FARINE ERRANTES

Pour réduire l'émission de particules de farine errantes lors du chargement du bol, il est recommandé comme suit.

- Videz le sac de farine ou le récipient contenant la farine sans le secouer.
- Versez l'eau avant de mettre la farine si cela est possible.
- Toujours commencer à vitesse lente pendant le mélange eau/farine.
- Ne secouez pas un sac de farine vide. Roulez-le avec soin.

Le respect de ces règles simples contribuera à réduire les émissions de poussières de farine et, par conséquent, à réduire les risques d'allergie liés à ces poussières.

8. Recherche de pannes

PANNE	RAISON	SOLUTION
La machine ne fonctionne pas.	L'énergie ne vient pas à la machine.	Vérifiez la tension d'alimentation.
	Fusible d'alimentation soufflé.	Vérifiez le fusible.
	Soufflante de chaleur du moteur.	Attendez le refroidissement thermique et allumez
	Le disjoncteur est ouvert.	Fermez le disjoncteur.
Le bruit de fonctionnement du moteur arrive, mais il ne convient pas	L'une des phases d'alimentation est manquante.	Vérifiez la phase une par une.
	Les courroies d'entraînement sont manquantes ou desserrées	Vérifiez la tension de la courroie.
	Il y a une congestion dans le mouvement mécanique	Éteignez l'énergie! et vérifiez manuellement le batteur à crochets à pâte fouettée. Informez le service technique en cas de congestion.
La machine reçoit de l'énergie la machine n'est pas activée.	La chaleur du moteur est soufflée	Attendez le refroidissement thermique et allumez-
	Les interrupteurs de sécurité ne sont pas actifs.	Assurez-vous que le bol est au-dessus et protecteur fermé.
	Réglage mécanique de l'interrupteur endommagé ou cassé.	Contact avec le service technique.
	Pièce défectueuse dans le circuit de commande (contacteur-thermique-bouton-etc..)	Contact avec le service technique.

9. Entretien

Cette section décrit les travaux d'entretien réguliers à effectuer. Lorsque ces les entretiens sont effectués:

- La machine effectue le mélange efficacement.
- Les produits alimentaires préparés par la machine deviennent adaptés à la santé humaine.
- La machine sera durable.
- Temps minimum perdu en raison d'un dysfonctionnement
- Prévient les petits dysfonctionnements avant d'être grave.

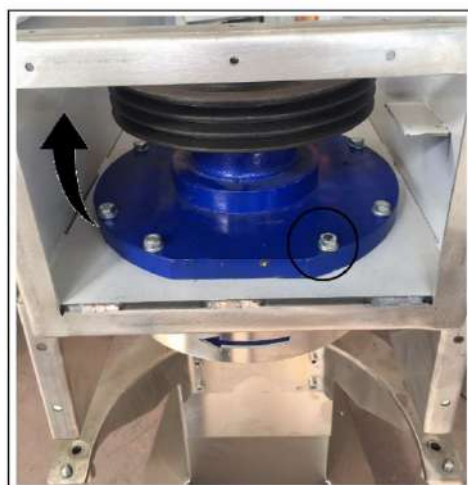
9.1 Pièces mécaniques

Ce batteur ne nécessite qu'un minimum d'entretien (les roulements, les pièces moteur et mécaniques sont graissées à vie). Au moins une fois par an, il est recommandé de:

- Dégagez les fentes de ventilation si nécessaire, elles peuvent provoquer une surchauffe.

Lubrifiez les engrenages planétaires avec une graisse hautement adhésive.

Nettoyez la poussière de la courroie et la farine de l'intérieur de la machine à l'aide d'un aspirateur.

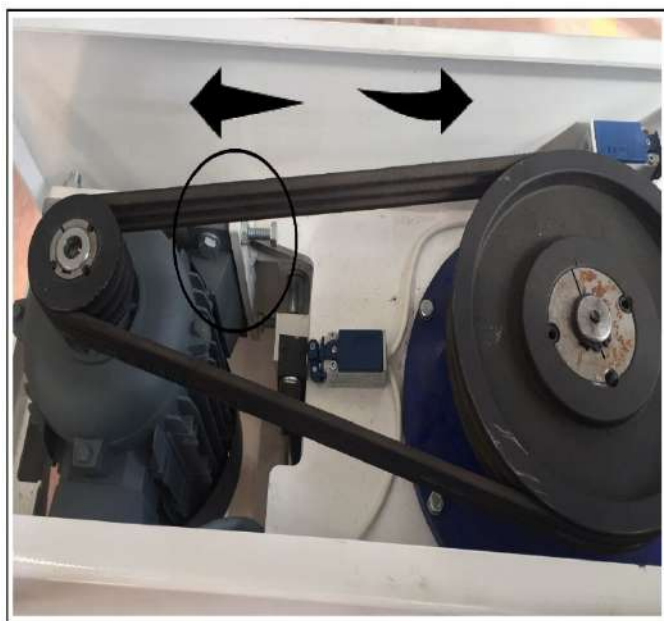


9.2 Vérifier ou changer de ceinture

Vérifiez la tension de la ceinture et le degré d'usure.

Pour le vérifier, procédez comme suit:

- Déconnectez la machine.
- Retirez le boîtier supérieur pour accéder à la transmission.
- Si la courroie est défectueuse :
- Desserrer les 4 vis du moteur (clé de taille 19 mm).
- Placez une nouvelle ceinture si nécessaire et vérifiez que les dents sont correctes.
- Engagé dans les rainures de poulie.
- Vissez les 2 boulons de tension. (taille 17mm clé)
- Vérifiez que la tension est correcte en appuyant avec le pouce et l'index.



Remarque: Il est essentiel de s'assurer que la courroie est correctement tendue. S'il y a une tension insuffisante ou excessive, cela peut entraîner un fonctionnement anormal de la transmission ou même une usure prématurée de la courroie ou des roulements.

Les erreurs d'utilisation raccourcissent la durée de vie de l'appareil en endommageant le produit.

Le moteur peut être arrêté en cas de brunissement ou de surcharge. Dans une telle situation, appuyez sur le bouton d'arrêt et déchargez le matériau, avant de le démarrer, veuillez attendre le refroidissement du moteur.

Veuillez fermer soigneusement le capuchon de protection pour ne pas l'endommager.

La durée de vie du produit est de 10 ans, sous la condition d'utilisation recommandée des instructions.

9.3 Démantèlement de l'assemblage planétaire

Retirez le boîtier, après l'avoir d'abord déconnecté la machine.

Retirez la ceinture.

Desserrer les 8 boulons de l'assemblage planétaire.

Retirez l'assemblage planétaire.

9.4 Vérification des éléments de sécurité

Les éléments de sécurité doivent être vérifiés fréquemment pour s'en assurer qu'ils fonctionnent correctement.

Le moteur doit s'arrêter lorsque le protecteur de sécurité est ouvert. Si l'une de ces deux fonctions n'est pas implémentée :

- N'utilisez pas la machine.
- Faites-le ajuster par le service après-vente de votre concessionnaire local.

ADRESSE POUR LES EXIGENCES DE SERVICE

Nous vous conseillons d'abord de contacter le revendeur qui vous a vendu la machine.

Pour toute information ou commande de pièces de rechange, précisez le type de machine, son numéro de série et l'électricité Spécifications.

Le fabricant se réserve le droit de modifier et d'apporter des améliorations aux produits sans préavis.

Dealer's stamp



Date of purchase:

9.5 Composants électriques

- Vérifiez l'état du câble d'alimentation et de l'électricité composants régulièrement.
- **Identification de la couleur du fil:**
 - Terre: (B/C) jaune/vert
 - Neutre: (N) bleu
 - Phase: (L) marron
 - Circuit d'alimentation: noir
 - Circuit de contrôle: rouge

10. Conformité à la réglementation

La machine a été conçue et fabriquée dans le respect de:

2014/30/UE

2014/35/UE

2006/42/CE

EN ISO 12100: 2010

EN ISO 13854:2019

EN ISO 13857: 2019

EN 60204-1:2018

EN ISO 14120: 2015

EN 1672-2:2020

EN 454:2014

RÈGLEMENT (CE) No 1935/2004

- **Normes européennes:**

EN 454 Mélangeurs batteurs. Règles de sécurité et d'hygiène.

Cette conformité est certifiée par :

- Le marquage de conformité CE apposé sur la machine.
- La déclaration de conformité CE relative associée à la garantie,
- Ce manuel d'instructions, qui doit être remis à l'opérateur.

Indices de protection selon la norme EN 60529-2000:

- Commandes électriques IP54.
- IP32 machine globale.

Sécurité intégrale :

- La machine a été conçue et fabriquée en conformité avec les règlements et normes pertinents mentionnés au-dessus.
- Avant d'utiliser la machine, l'opérateur doit être formé à son et informé de tout risque résiduel éventuel.

Hygiène alimentaire:

La machine est fabriquée à partir de matériaux conformes aux réglementations et normes suivantes:

- Norme EN 60204-1 : objets en alliage d'aluminium moulé en contact avec des denrées alimentaires.

Les surfaces de la zone alimentaire sont lisses et faciles à nettoyer. Utilisez des détergents approuvés pour l'hygiène alimentaire et respectez les instructions pour leur utilisation.

11. Prudence

En cas de danger pour l'utilisateur ou la machine, vous devez utiliser le bouton **STOP**.

Avant toute opération sur la machine, retirez la fiche de la prise ou éteignez l'interrupteur au point de connexion.

Il peut y avoir certains risques :

- Les lames sont très tranchantes et peuvent provoquer de graves coupures même si la machine est inactive.
- Le remplacement des lames doit être effectué uniquement par un agent agréé.
- Toutes les lames doivent être présentes pour éviter que les doigts ne se entraînent dans le mécanisme lors du retrait du pain.
- Après quelques jours d'opérations, faites un travail professionnel qualifié pour contrôler la tension des pales par un professionnel qualifié personne.
- La mise à la terre est impérative.